

UNLESS OTHERWISE SPECIFIED:
 DIMENSIONS ARE IN INCHES
 TOLERANCES:
 FRACTIONAL $\pm 1/8$
 ANGULAR: BEND ± 1 DEGREE
 TWO PLACE DECIMAL $\pm .03$
 THREE PLACE DECIMAL $\pm .01$

Surface Area

MATERIAL

FINISH

WEB PRINT

NEXT ASSY	USED ON
APPLICATION	

DO NOT SCALE DRAWING

	NAME	DATE
DRAWN		
CHECKED		
ENG APPR.		
MFG APPR.		
Q.A.		
COMMENTS:		

i-Tech Company LLC

TITLE:

**22U LINIER FS CONVEX
 FRONT/ VENTED REAR**

SIZE
A

DWG. NO.

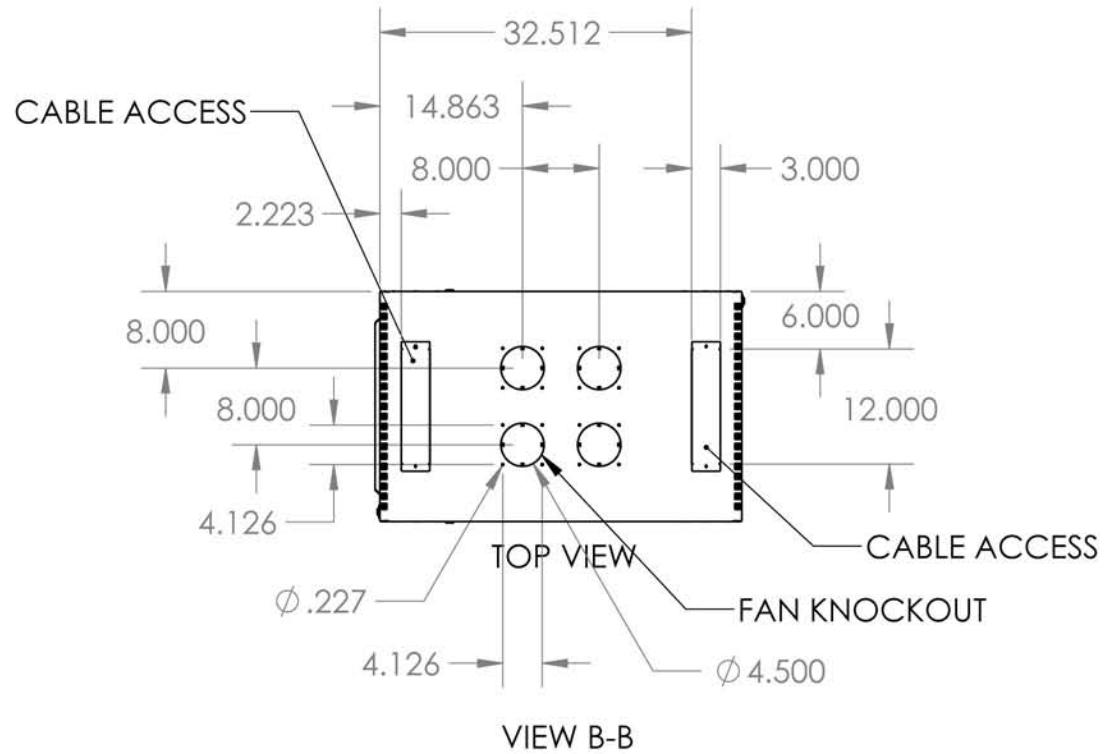
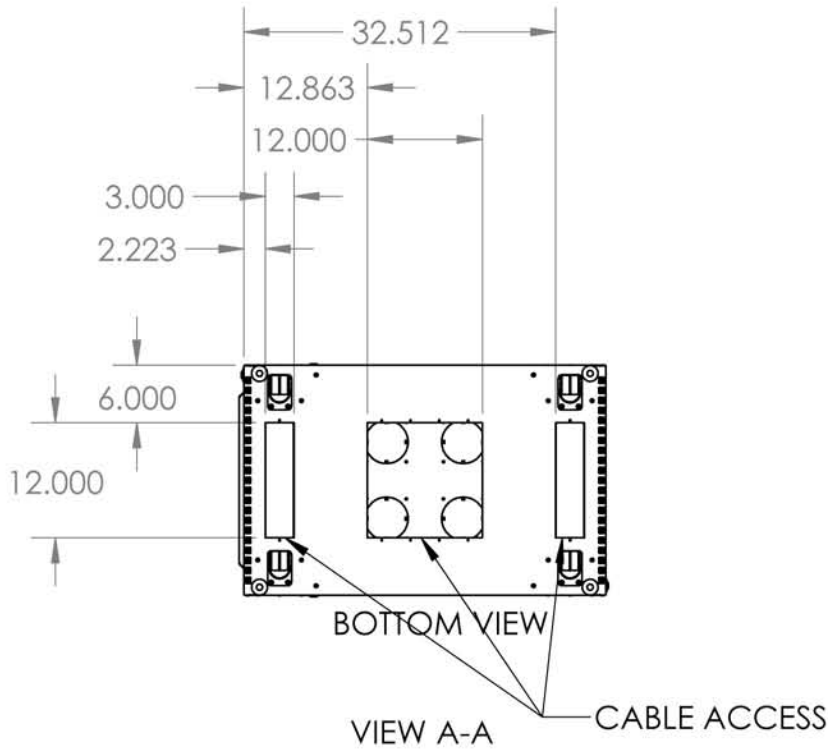
KH3622

REV

SCALE: 1:20

WEIGHT: 115.74

SHEET 1 OF 2



WEB PRINT		UNLESS OTHERWISE SPECIFIED: DIMENSIONS ARE IN INCHES TOLERANCES: FRACTIONAL $\pm 1/8$ ANGULAR: BEND ± 1 DEGREE TWO PLACE DECIMAL $\pm .03$ THREE PLACE DECIMAL $\pm .01$	NAME	DATE	i-Tech Company LLC		
			DRAWN		TITLE: 22U LINIER FS CONVEX FRONT/ VENTED REAR		
NEXT ASSY		USED ON	ENG APPR.	MFG APPR.	Q.A.	REV	
APPLICATION		DO NOT SCALE DRAWING	COMMENTS:		SIZE A	DWG. NO. KH3622	
					SCALE: 1:20	WEIGHT: 115.74	SHEET 2 OF 2