

UNLESS OTHERWISE SPECIFIED:  
DIMENSIONS ARE IN INCHES  
TOLERANCES:  
FRACTIONAL  $\pm 1/8$   
ANGULAR: BEND  $\pm 1$  DEGREE  
TWO PLACE DECIMAL  $\pm .03$   
THREE PLACE DECIMAL  $\pm .01$

Surface Area

MATERIAL

FINISH

DO NOT SCALE DRAWING

**WEB PRINT**

NEXT ASSY

USED ON

APPLICATION

	NAME	DATE
DRAWN		
CHECKED		
ENG APPR.		
MFG APPR.		
Q.A.		
COMMENTS:		

i-Tech Company LLC

TITLE:

**22U LINIER FS GLASS  
FRONT/ VENTED REAR**

SIZE  
**A**

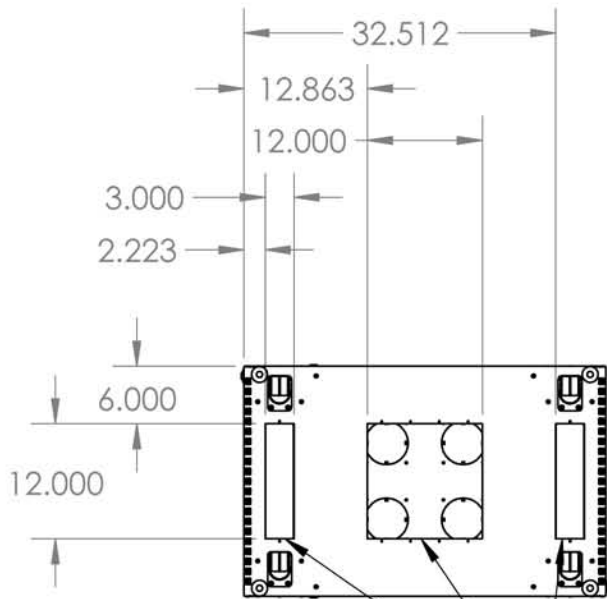
DWG. NO.

**KHOF2-41**

REV

SCALE: 1:20 WEIGHT: 114.08

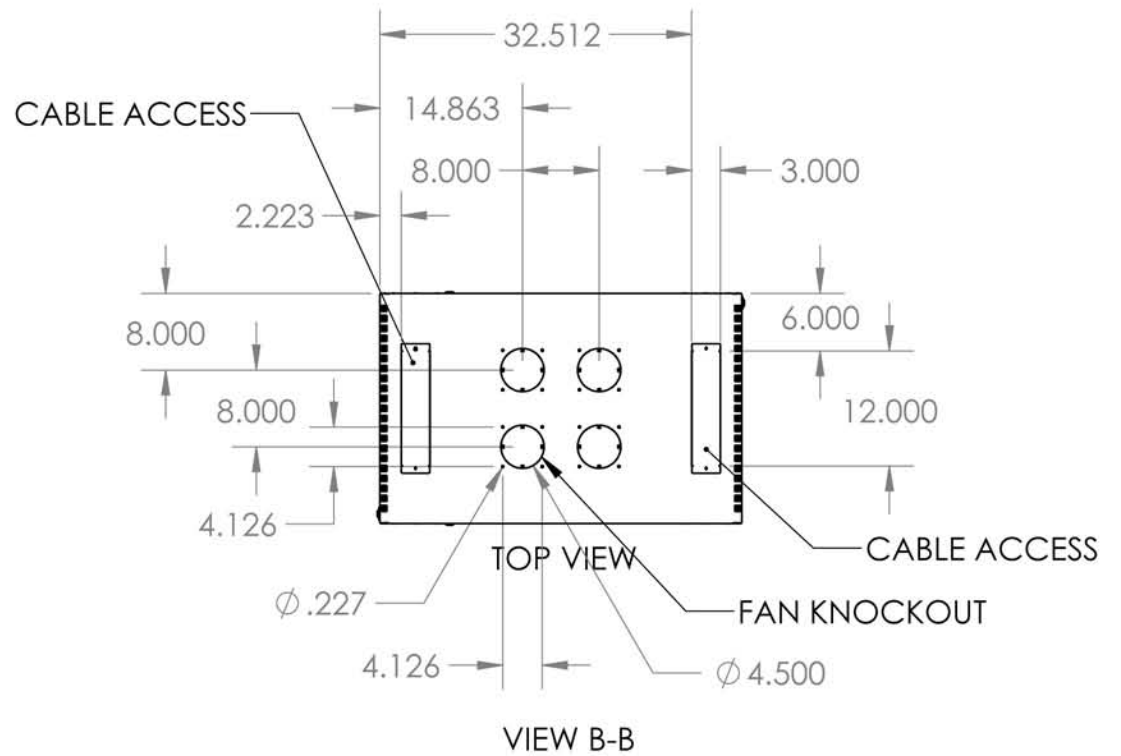
SHEET 1 OF 2



BOTTOM VIEW

VIEW A-A

CABLE ACCESS



TOP VIEW

VIEW B-B

i-Tech Company LLC

TITLE:  
22U LINIER FS GLASS  
FRONT/ VENTED REAR

SIZE	DWG. NO.	REV
<b>A</b>	<b>KH3622GF</b>	

SCALE: 1:20 WEIGHT: 114.08 SHEET 2 OF 2

UNLESS OTHERWISE SPECIFIED:  
DIMENSIONS ARE IN INCHES  
TOLERANCES:  
FRACTIONAL  $\pm 1/8$   
ANGULAR: BEND  $\pm 1$  DEGREE  
TWO PLACE DECIMAL  $\pm .03$   
THREE PLACE DECIMAL  $\pm .01$

Surface Area

MATERIAL

FINISH

DO NOT SCALE DRAWING

**WEB PRINT**

NEXT ASSY

USED ON

APPLICATION

NAME	DATE
DRAWN	
CHECKED	
ENG APPR.	
MFG APPR.	
Q.A.	
COMMENTS:	

COMMENTS: