

UNLESS OTHERWISE SPECIFIED:
 DIMENSIONS ARE IN INCHES
 TOLERANCES:
 FRACTIONAL ± 1/8
 ANGULAR: BEND ± 1 DEGREE
 TWO PLACE DECIMAL ± .03
 THREE PLACE DECIMAL ± .01

WEB PRINT	
NEXT ASSY	USED ON
APPLICATION	

Surface Area	
MATERIAL	
FINISH	
DO NOT SCALE DRAWING	

	NAME	DATE
DRAWN		
CHECKED		
ENG APPR.		
MFG APPR.		
Q.A.		
COMMENTS:		

i-Tech Company LLC		
TITLE: 37U LINIER FS GLASS FRONT/ VENTED REAR		
SIZE A	DWG. NO. KH3637GF	REV
SCALE: 1:20	WEIGHT: 160.13	SHEET 1 OF 2

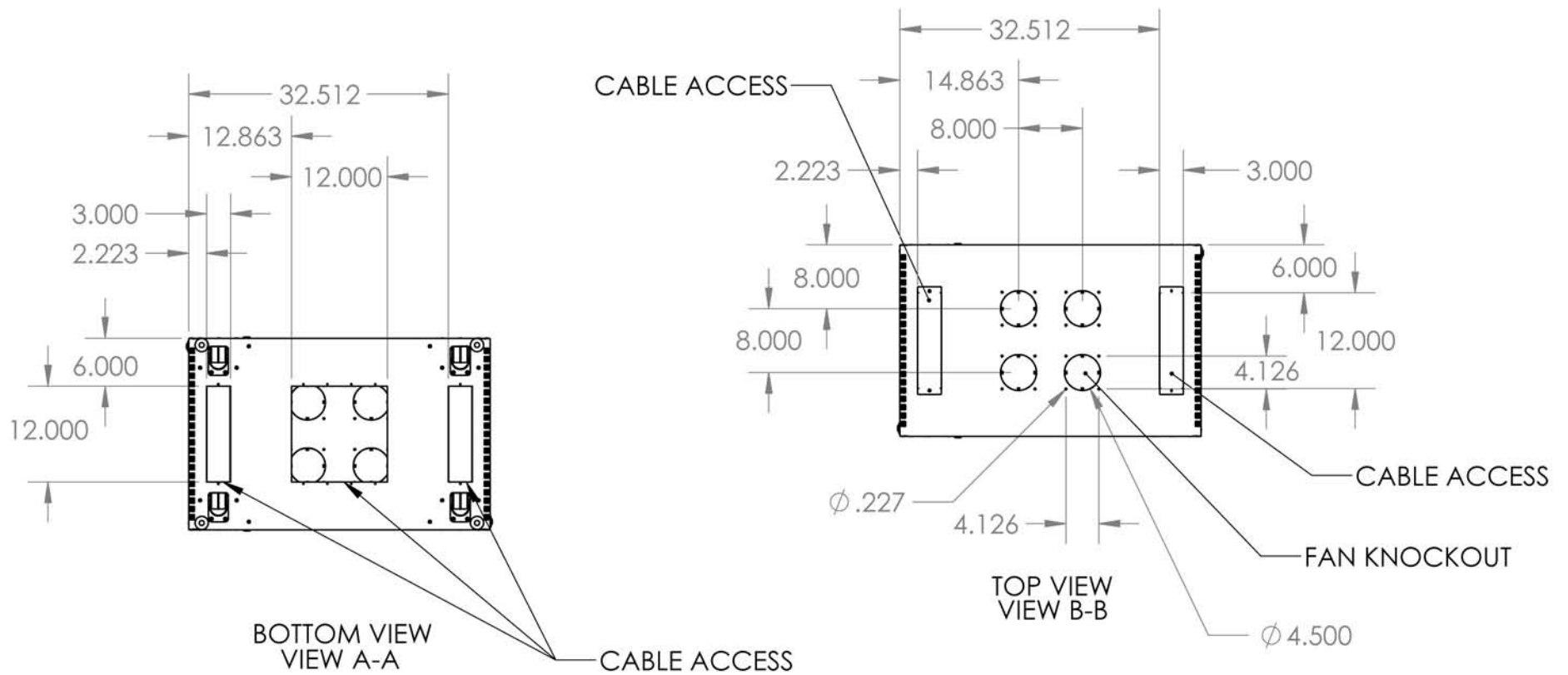
5

4

3

2

1



WEB PRINT

UNLESS OTHERWISE SPECIFIED:
 DIMENSIONS ARE IN INCHES
 TOLERANCES:
 FRACTIONAL $\pm 1/8$
 ANGULAR: BEND ± 1 DEGREE
 TWO PLACE DECIMAL $\pm .03$
 THREE PLACE DECIMAL $\pm .01$

Surface Area

MATERIAL

FINISH

DO NOT SCALE DRAWING

NEXT ASSY

USED ON

APPLICATION

	NAME	DATE
DRAWN		
CHECKED		
ENG APPR.		
MFG APPR.		
Q.A.		
COMMENTS:		

i-Tech Company LLC

TITLE:
**37U LINIER FS GLASS
 FRONT/ VENTED REAR**

SIZE A	DWG. NO. KH3637GF	REV
------------------	-----------------------------	-----

SCALE: 1:20 WEIGHT: 160.13 SHEET 2 OF 2