

A. Input Characteristics:

- 1) Voltage: 200-250VAC
- 2) Frequency: 50/60 Hz.
- 3) Line Current: 20A Maximum
- 4) Load Capacity: 4.6 KVA
- 5) Overload Protection: (1) 2P/20A UL489 Circuit Breaker
- 6) Power Cord: 10' (3m), #12AWG/3C
- 7) Connector: NEMA L6-20P
- 8) Indicator: Power-on, LED

B. Output Characteristics:

- 1) Voltage: 200-250VAC
- 2) Current: 20A (Total Combined Load)
- 3) Outlets: 24X IEC C13

C. Mechanical Characteristics:

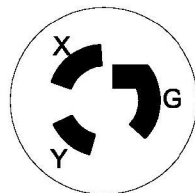
- 1) Material: CRS
- 2) Finish: Powder Coat, Black, Fine Texture
- 3) Lettering: Silk-Screen, White/Epoxy
- 4) Storage Temp.: -(13) - 149F (-25 - 65C)

D. Operating Environment:

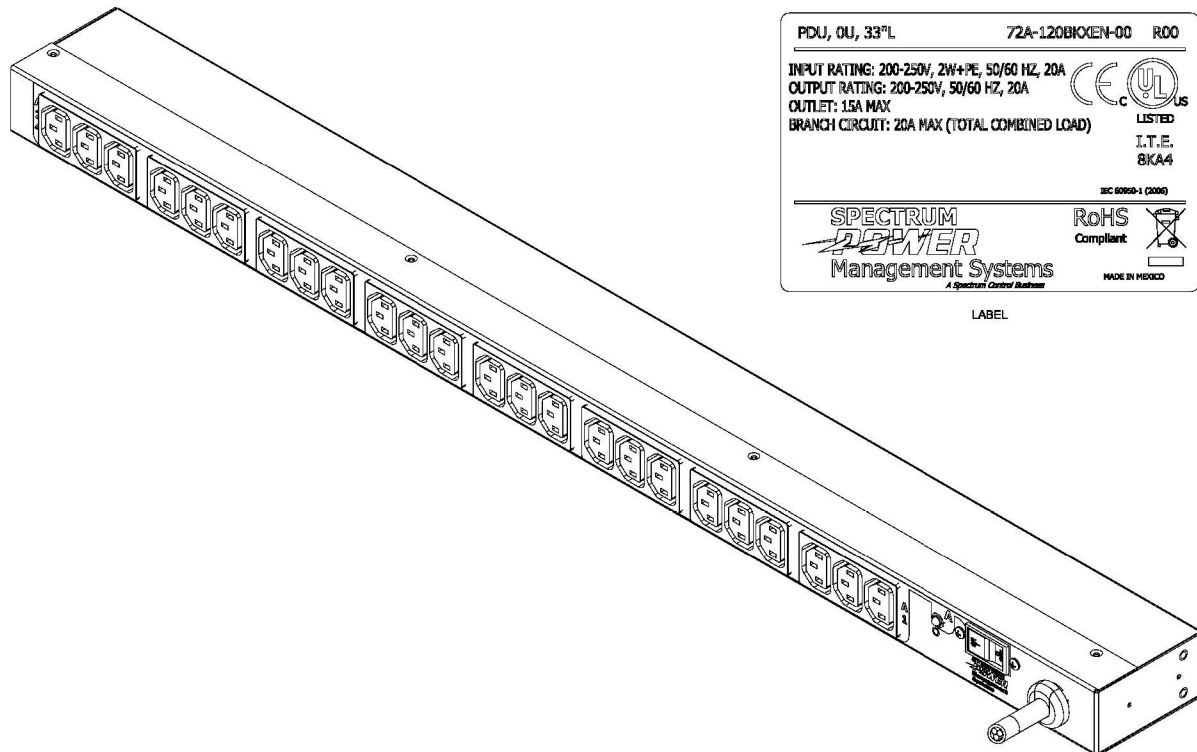
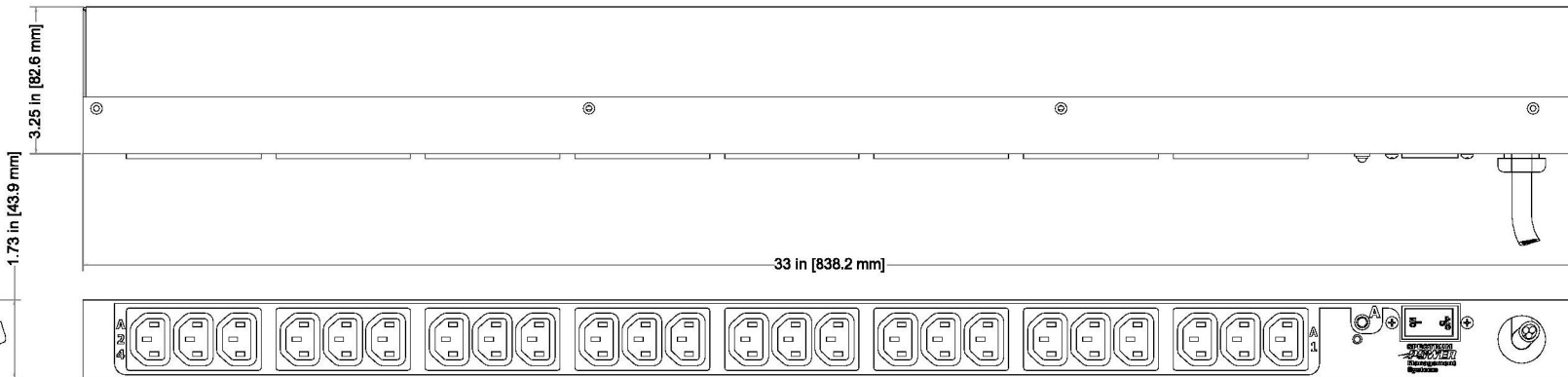
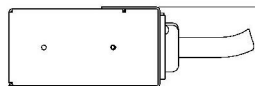
- 1) Temperature: 32 - 122F (0 - 50C)
- 2) Relative Humidity: 0 - 95% (Non-Condensing)
- 3) Elevation: 0 - 10,000FT (0 - 3000 m)

E. Regulatory Conformance:

- 1) Safety Agency: UL/cUL, UL60950-1, CE
- 2) RoHS: Compliant to Directive 2002/95/EC



L6-20P PLUG END



PDU, 0U, 33" L 72A-120BKXEN-00 R00

INPUT RATING: 200-250V, 2W+PE, 50/60 HZ, 20A
 OUTPUT RATING: 200-250V, 50/60 HZ, 20A
 OUTLET: 15A MAX
 BRANCH CIRCUIT: 20A MAX (TOTAL COMBINED LOAD)

UL LISTED I.T.E. 8KA4
 IEC 60950-1 (2005)

SPECTRUM POWER
 Management Systems
A Spectrum Control Solution

RoHS Compliant
 MADE IN MEXICO

LABEL



40243-ENG CHANGE NOTICE	DRAWINGS IN ACCORDANCE WITH STANDARD ANSI Y14.6M-1994		TOLERANCES UNLESS OTHERWISE SPECIFIED: FRACTIONS ±1/64 DECIMAL .XX ± .020 DECIMAL .XXX ± .010 ANGLES ± 0°30'		<p>Spectrum POWER Management Systems</p> <p>24X C13, 1 BREAKER, 0U PDU</p> <p>72A-120BKXEN-00</p>
	THIS DOCUMENT CONTAINS PROPRIETARY INFORMATION AND IS COPYRIGHTED. EXCEPT WITH THE WRITTEN PERMISSION OF SPECTRUM CONTROL, INC. OR ITS SUBSIDIARIES, SUCH INFORMATION SHALL NOT BE PUBLISHED OR DISCLOSED TO OTHERS, OR USED FOR ANY PURPOSE AND THIS DOCUMENT SHALL NOT BE DUPLICATED IN WHOLE OR IN PART.		<p>THIRD ANGLE PROJECTION</p>		
	DRAWN: CarrS	DATE: 2/22/2008	SHEET: 1 OF 1	CODE IDENT NO:	