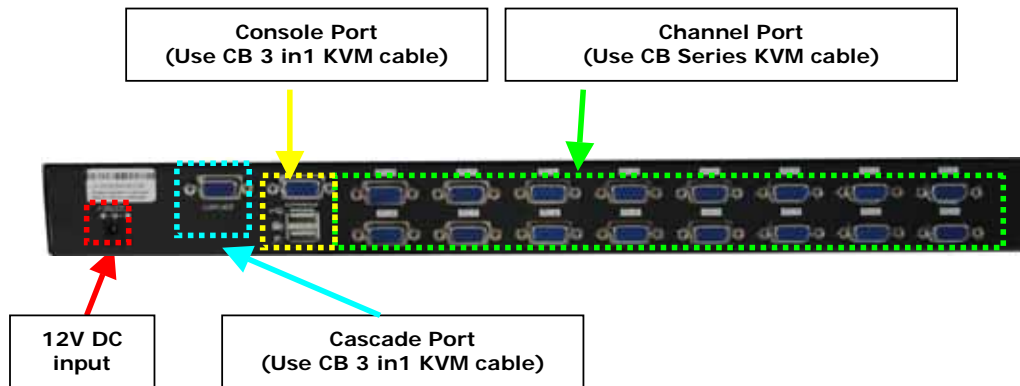


# USB KVM Switch/Cascade

## USB KVM Switch:



- 12V DC input:** To connect to the external power adapter  
**Cascade port:** To connect another USB KVM switch  
**Console VGA:** To connect USB Mouse & Keyboard and Monitor  
**Channel Port:** To connect the USB Keyboard & Mouse and VGA on the PC side  
To use the one plug connection cable between KVM & PC

## Cascade:

Using 3 in 1 USB KVM cable connect from **Bank 1's "Cascade port"** to **Bank 2's "Console port"**. After connected please press "Bank" & "Channel" button on the front of the KVM switch to reset the KVM switch

### Bank 1 (Individual USB KVM switch)



Use CB USB KVM Cable

### Bank 2 (Individual USB KVM switch)



Use CB USB KVM Cable

### Bank 3 (Individual USB KVM switch)



Use CB USB KVM Cable

### Bank 8 Max. (Individual USB KVM switch)



## **Cascade Level Max. Level**

- Max. PC connection is 128(all using 16 ports)
- All KVM Switch is compatible and can cascade with each other
- Using 3 in 1 USB KVM cable to cascade
- Normal distance from one KVM to another is 15ft