

LCD Drawer User Manual

AVP119-125VDC



This user manual generates various aspects of equipment including installation, setup and cascade, which allows you to comprehensively understand this LCD KVM Drawer.

Please read this manual carefully. The instructions will enhance your installation / operation efficiency and avoid the damage.

Product package includes following items:

1 * 19 LCD KVM Drawer;

1 * AC Power Cord

1 * Rack installation bracket (one pair)

1 * CD (USER'S manual)

1 * 1.8 Meter VGA&PS2 cable

1 * 1.8 Meter USB A Type cable

Please check items above. If any item is missing or damaged, please contact your dealer promptly.

Table of Contents

1	Introduction	-4-
	1.1 Overview	-4-
	1.2 Functions & Features	-4-
	1.3 Hardware Requirement	-4-
	1.3.1 Host Requirement	-4-
	1.3.2 Cables	-4-
	1.4 Product Specifications	-5-
	1.5 LCD Specifications	-5-
	1.6 Front View	-6-
	1.7 Rear View	-7-
2	Installation	-8-
	2.1 Rack Installation	-8-
	2.2 Standard Installation	-9-
	2.3 LCD KVM Console and KVM Cascade Installation	-10-
	2.4 LCD OSD Menu Setup	-11-
3	Certificates	-14-

1 Introduction

1.1 Overview

AVP119-125VDC LCD KVM is integrated with keyboard, LCD display and touch pad. The drawer type console provides a convenient space-saving operation mode for KVM switch technology. By pulling out the LCD drawer to fully extend, self-locking rail will be fasten. Once the operation is completed and the LCD monitor is closed, self-locking rail will be realized automatically.

AVP119-125VDC console is a control device integrating 19" LCD ,104-key keyboard and touchpad mouse. You can access multiple hosts by using the LCD console.

LCD KVM console is the best choice to save time and efforts. Since all hosts can be controlled from a single main control terminal, using the LCD KVM Console:(1)avoids the cost of keyboard, mouse and monitor of each host; (2) saves work space; (3) saves power; (4) avoids moving computers from one to another. * For Mac and Sun hosts, USB cable must be used for connection.

1.2 Function & Features

AVP119-125VDC is integrated by 1U height and can be installed into 19 inch rack cabinet. The supported resolution is up to 1280 x 1024, 75Hz. No additional software and hardware installation needed.

1.3 Hardware Requirement

1.3.1 Hosts Requirement:

(1) VGA, SVGA or Multisync card

Note: the max. resolution of the integrated LCD display is 1280x1024. Make sure the resolution of any connected computer does not exceed this resolution.

(2) PS/2 or USB port for keyboard and mouse.

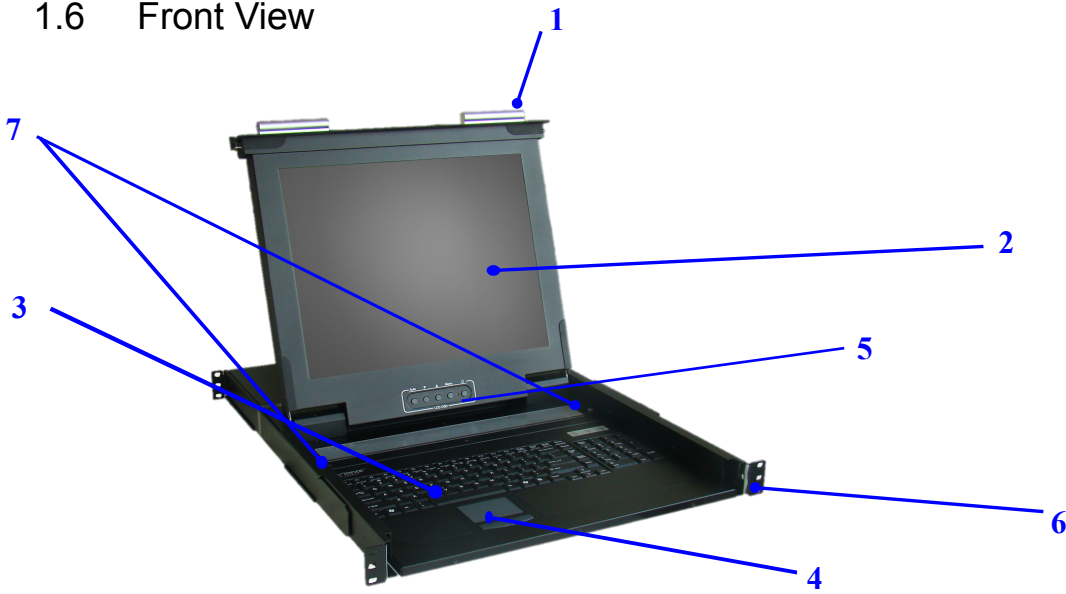
1.3.2 Cables

The switch can be connected to hosts by using PS/2 or USB connector depending on the different KVM cable.

1.4 Product Specifications

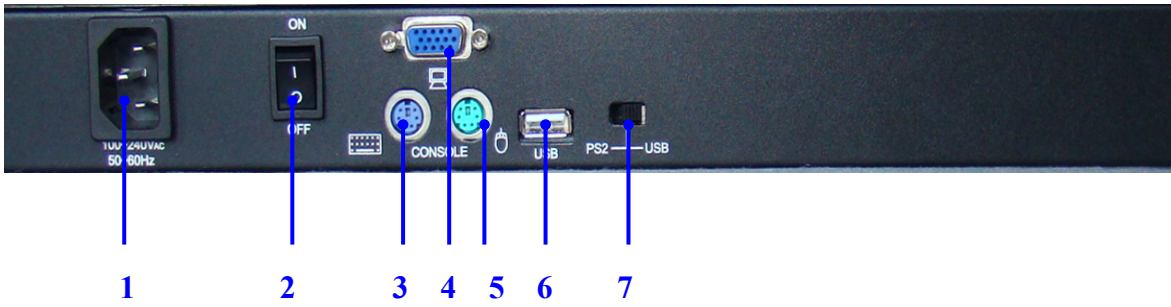
Model		AVP119-125VDC
Brightness		250cd/m
Contrast		1000:1
Angle of visibility		170°(H),176°(V)
Color display		16.7M
Keyboard		104-key keyboard
Mouse		Mouse pad
Local Control Terminal	Keyboard	PS/2
	Mouse	PS/2
	Monitor	HD-15 female connector
	USB	For USB KB/Mouse
VGA resolution		1280 x 1024 @75Hz
Power supply		AC100~240V 50~60Hz (DC power for option)
Housing		Metal housing
Weight		12.5Kg
Dimension(W x H x D)		448 x 42 x 580 (mm)

1.6 Front View



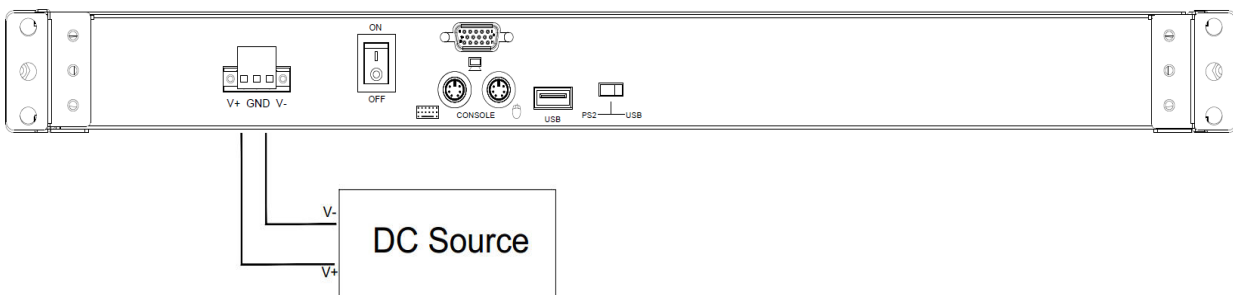
NO	Part	Function Description
1	Handle Moving toward inside direction to unlock	
2	LCD display	
3	Keyboard	
4	Touchpad	
5	LCD OSD button	LCD button to control Screen Display position and image setting.
6	Mounting bracket	Install into rack cabinet
7	Lock button	Auto lock / release when lcd pull up and down

1.7 Rear View



No	Component	Function Description
1	AC Power port	Standard IEC Type AC Inlet
2	Power Switch	Rock switch, turn on/off equipment main power.
3	PS2 Keyboard	Connect to keyboard
4	DB15 VGA PORT	Connect to server or KVM.
5	PS2 Mouse	Connect to mouse
6	USB Port	Connect to server or KVM.
7	PS2-USB Switch	Factory default USB

DC power for option

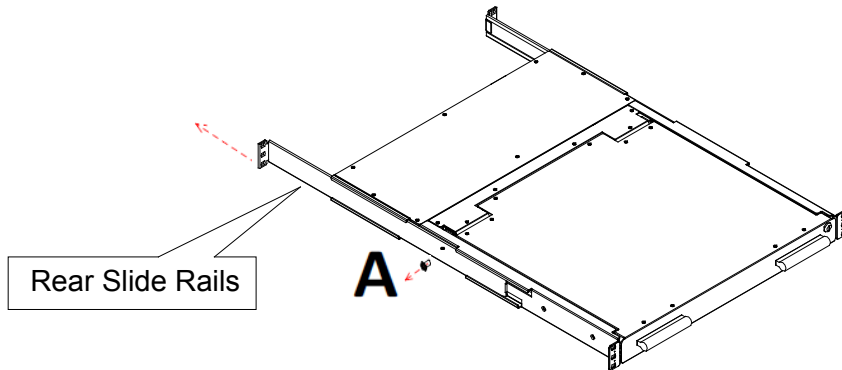


2 Installation

2.1 Rack Installation

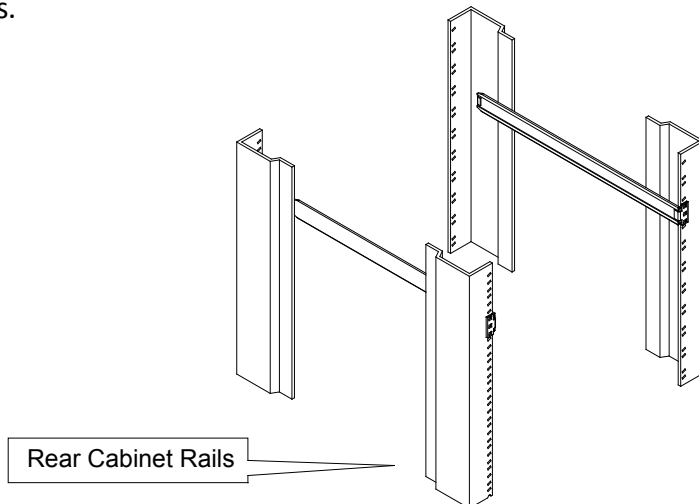
Step 1

Loosen screw **A** on both sides to slide out and remove the two rear slide rails.



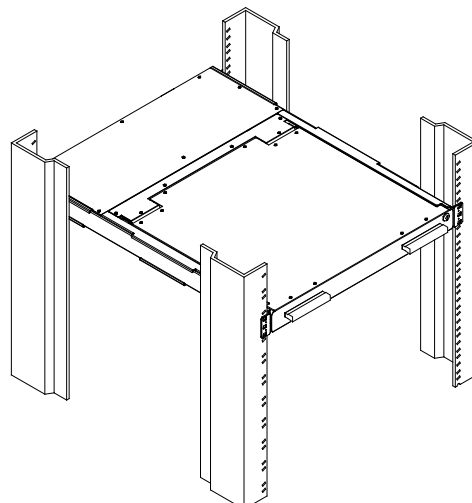
Step 2

Attach the two rear slide rails to the rear vertical mounting rails of the rack cabinet using standard M6 cage nuts and screws.



Step 3

Position the LCD console drawer so the two rear slide rails will slide into the main body of the LCD console drawer. Attach the mounting ears of the LCD console drawer to the front vertical mounting rails of the rack cabinet using standard M6 cage nuts and screws.

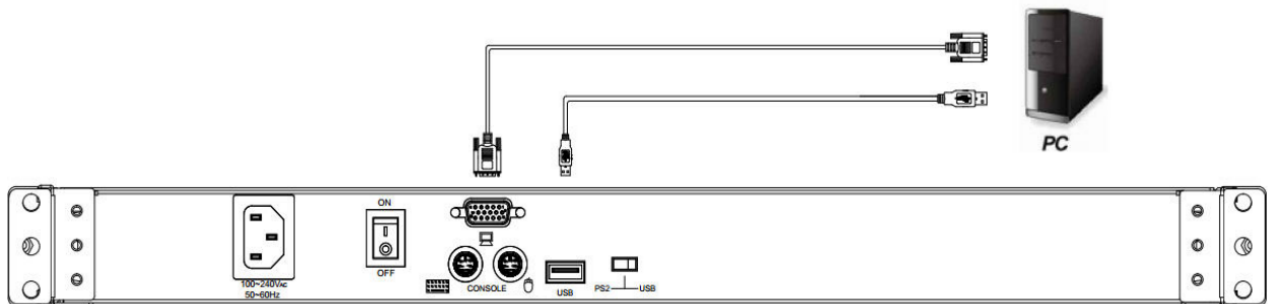


2.2 Standard Installation

Please follow the installation drawing and instructions below for standard installation:

- * Please Shutdown the Power of Equipment when connected
- * Please Pay Attention to Earthing of Equipment

The standard installation is completed, and LCD KVM console can be powered on. Then power on connected hosts.

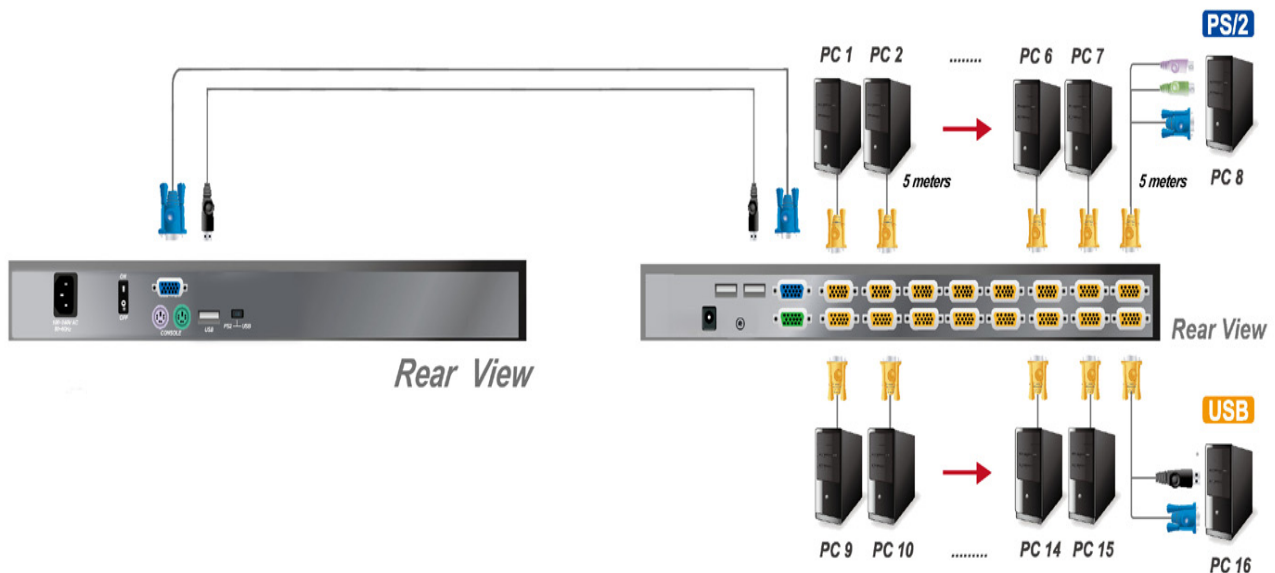


2.3 LCD KVM Console and KVM Cascade Installation

LCD KVM console port can be directly connected to another KVM Switch as cascade to Perform unified management all connected hosts. Please follow the installation drawing and instructions for standard installation:

- (1) Make sure to power off all equipment
- (2) Switching slide switch to *USB* mode
- (3) Use an USB / VGA cable to connect the LCD and KVM switch console port.
- (4) Turn on the KVM and LCD console power first and then power on hosts to prevent loss of any keyboard or mouse.

Cascade connection drawing:



2.4 LCD OSD Menu Setup

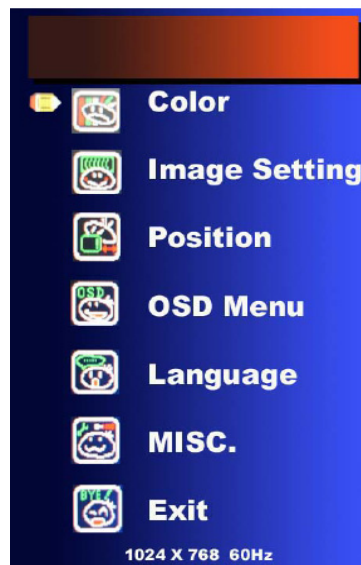
OSD Control buttons

LCD OSD can help to setup LCD display. Setup instructions of four buttons as follow:

Button	Functions
POWER	Turn on or off the LCD Display
MENU	Activate OSD menu, select a menu and press MENU key to confirm the selection and enter the submenu.
▲	Press this key to increase setting or scroll up the menu bar
▼	Press this key to Decrease setting or scroll down the menu bar
AUTO	press the auto key to adjust screen display position

OSD Control Operation

Main Menu



Color
Image setting
Position
OSD Menu
Language
MISC
Exit

3 Certificates

FCC

This product has been tested and is proved to meet requirements of Grade B electronic devices and specifications of Section 15 of FCC certification. Please observe following two conditions in operation that:

- (1) The equipment will not generate any harmful interruption.
- (2) If the equipment is interrupted, it may cause unnecessary operations.

CE

This equipment complies with regulations of EN55022:CLASS B.

RoHS

The whole package including products, packaging materials and documents meet RoHS equipments.