

USER MANUAL

User Manual 17" / 19" LCD



NVP117 / NVP119 1U LCD Console Drawer

- Options :
- AV / DVI-D / HDMI / Audio
 - Full Range KVM
 - DC power



Contents

< Part. 1 > NVP117 / NVP119

- | | | |
|-----|-------------------------------|---------|
| 1.1 | Package Content | P.1 |
| 1.2 | Structure Diagram & Dimension | P.1 - 2 |
| 1.3 | Installation | P.3 - 5 |
| 1.4 | Connection | P.6 |

< Part. 2 > Specifications / OSD


- | | | |
|-----|-------------------------------------|-----------|
| 2.1 | Product Specifications | P.7 - 8 |
| 2.2 | Keyboard / Mouse Specifications | P.9 |
| 2.3 | On-screen Display Operation (OSD) | P.10 - 11 |


< Part. 3 > Options


- | | | |
|-----|------------------------------------|------|
| 3.1 | HDMI, DVI-D, S-Video + BNC & Audio | P.12 |
| 3.2 | 48V, 24V or 12VDC power | P.13 |

Contents


< Part. 4 > KVM Integration


Matrix Cat6 KVM	Local	Remote		8-port	16-port	32-port
	1	1	1	-	MC1116	MC1132
	1	1	2	-	MC2116	MC2132
	1	1	0	-	MC0116	MC0132
	1	2	0	-	MC0216	MC0232
	1	3	0	-	MC0316	MC0332


Combo Cat6 KVM	Local	Remote		8-port	16-port	32-port
	1	0	1	CIP8	NCIP16	CIP32
	1	1	0	NCCE8	CCE16	CCE32
	1	0	0	C8	C16	C32

Matrix DB-15 KVM	Local	Remote		8-port	16-port	32-port
	1	1	1	M118	M1116	-
	1	1	2	M218	M2116	-
	1	1	0	M018	M0116	-
	1	2	0	M028	M0216	-
	1	3	0	M038	M0316	-

Combo DB-15 KVM	Local	Remote		8-port	16-port	32-port
	1	0	1	82	162	
	1	1	0	CE8	CE16	
	1	0	0	S801	S1601	

PS/2 DB-15 KVM	Local	Remote		8-port	-	-
	1	0	0	-801	-	-

DVI-D KVM	Local	Remote		12-port	-	-
	1	0	0	-D12	-	-

USB HUB DB-15 KVM	Local	Remote		8-port	16-port	32-port
	1	0	1	82H	-162H	-
	1	1	0	-CE8H	-CE16H	
	1	0	0	-801H	-1601H	

Before Installation

- It is very important to mount the equipment in a suitable cabinet or on a stable surface.
- Make sure the place has a good ventilation, is out of direct sunlight, away from sources of excessive dust, dirt, heat, water, moisture and vibration.

Unpacking

The equipment comes with the standard parts shown in package content. Check and make sure they are included and in good condition. If anything is missing, or damaged, contact the supplier immediately.

How To Clean Your LCD Monitor

Caution :

- To avoid the risk of electric shock, make sure your hands are dry before unplugging your monitor from or plugging your monitor into an electrical outlet.
- When you clean your monitor, do not press down on the LCD screen. Pressing down on the screen can scratch or damage your display. Pressure damage is not covered under warranty.
- Use only cleansers made specifically for cleaning monitors and monitor screens. Cleansers not made to clean monitors and monitor screens can scratch the LCD display or strip off the finish.
- Do not spray any kind of liquid directly onto the screen or case of your monitor. Spraying liquids directly onto the screen or case can cause damage which is not covered under warranty.
- Do not use paper towels or abrasive pads to clean your monitor. Using an abrasive pad or any wood based paper product such as paper towels can scratch your LCD screen.

Cleaning Your Monitor


To clean your LCD safely, please follow these steps :

- 1 Disconnect the power cord.
- 2 Gently wipe the surface using a clean, dry microfiber cloth. Use as little pressure as possible.

Cleaning Tough Marks and Smudges

To remove tough marks and smudges, please follow these steps :

- 1 Disconnect the power cord.
- 2 Spray a small amount of non-abrasive cleanser on a microfiber cloth.

 **Caution : Do not spray or apply any liquids directly onto the monitor. Always apply the solution to your microfiber cloth first, not directly on the parts you are cleaning.**

- 3 Gently wipe the surface. Use as little pressure as possible.
- 4 Wait until your monitor is completely dry before plugging it in and powering it up.

<Part 1 >

< 1.1 > Package Content

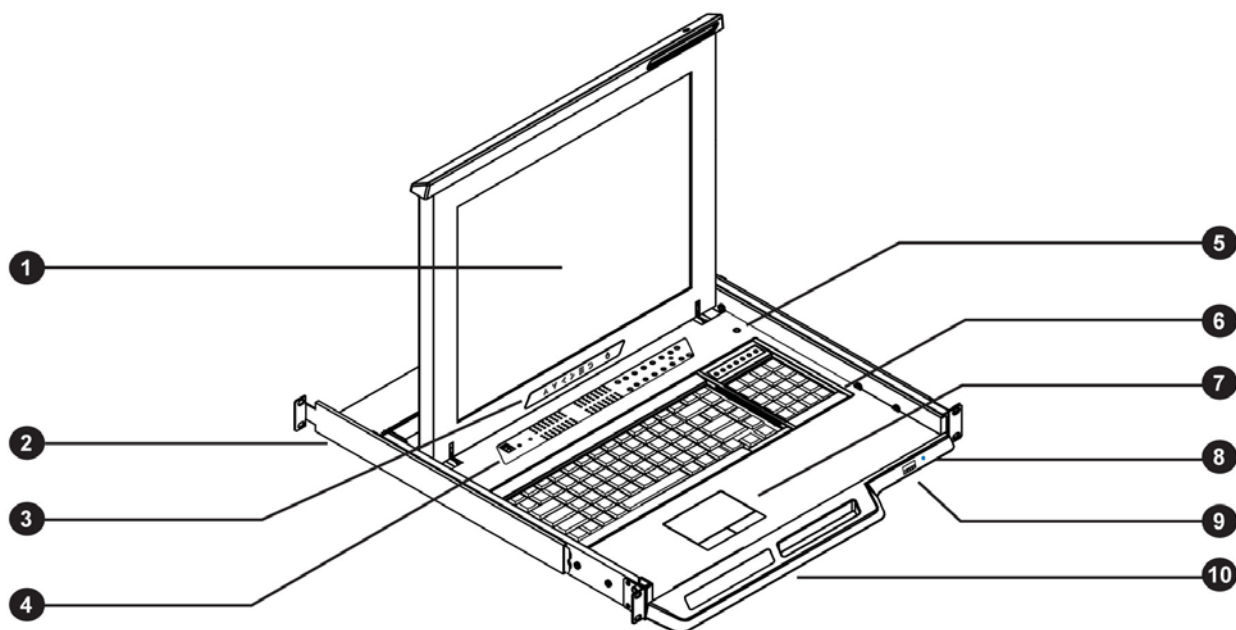
**NVP117 or NVP119 unit X 1**

- CE-6 6ft Combo KVM cable X 1
- Power cord X 1
- M6 screw, cage nut & cup washer X 8



The above package content is only for the single console models. It varies with options such as KVM, HDMI, DVI-D, AV, audio & DC power.

< 1.2 > Structure Diagram



① LCD interchangeable module kit

② Installation Slides

③ LCD membrane 

④ Membrane switch (KVM option)

⑤ Micro switch for screen auto power off

⑥ Keyboard interchangeable module kit

⑦ Mouse interchangeable module kit

⑧ Blue Power LED

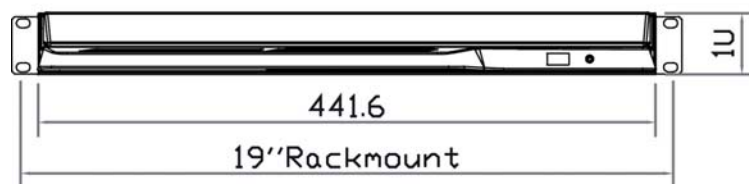
⑨ Front USB port for device access (USB Hub KVM only)

⑩ Molded front handle

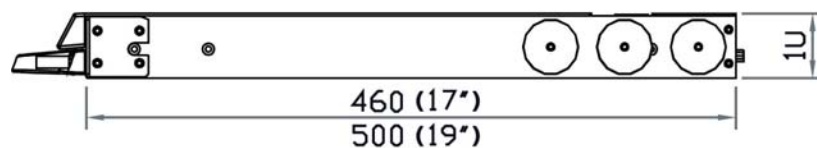
< 1.2 > Dimension

NVP117 / 119

Front View

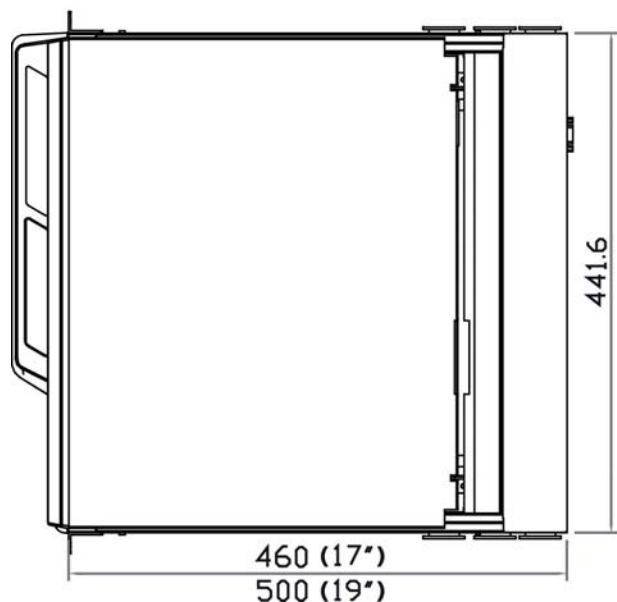


Side View



UNIT : mm
1mm = 0.03937 inch

Top View

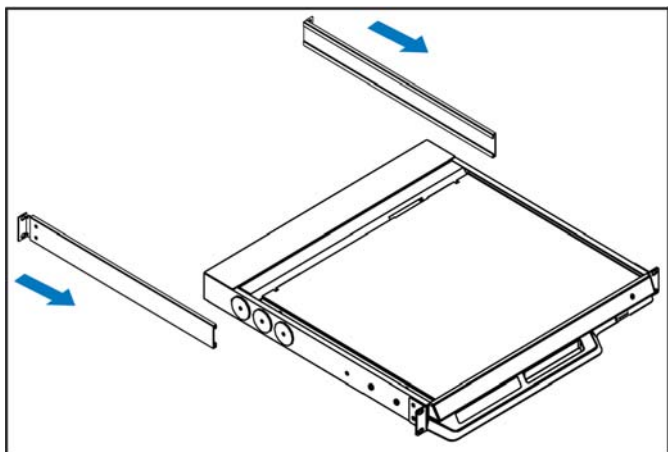


Model	Product Dimension (W x D x H)	Packing Dimension (W x D x H)	Net Weight	Gross Weight
NVP117 series	441.6 x 460 x 44 mm 17.4 x 18.1 x 1.73"	590 x 823 x 140 mm 23.2 x 32.4 x 5.5"	12 kg 26 lb	16.6 kg 36.5 lb
NVP119 series	441.6 x 500 x 44 mm 17.4 x 19.7 x 1.73"	590 x 823 x 140 mm 23.2 x 32.4 x 5.5"	12.7 kg 27.9 lb	17.3 kg 38.1 lb

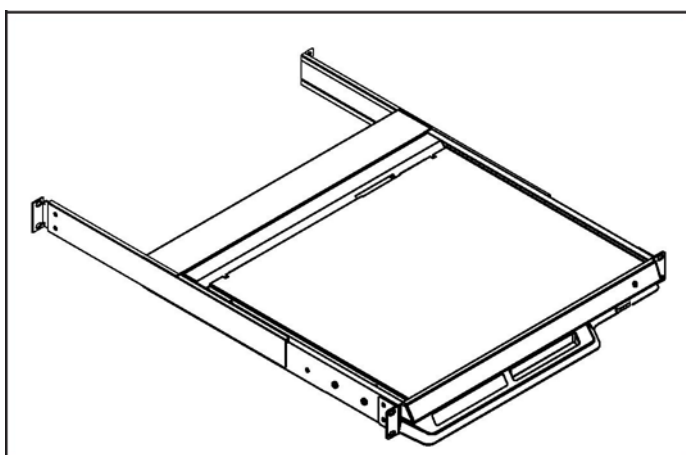
The weight is only for the single console models. It varies with accessories & options such as KVM, HDMI, DVI-D, AV, audio & DC power.

< 1.3 > Installation - How to install

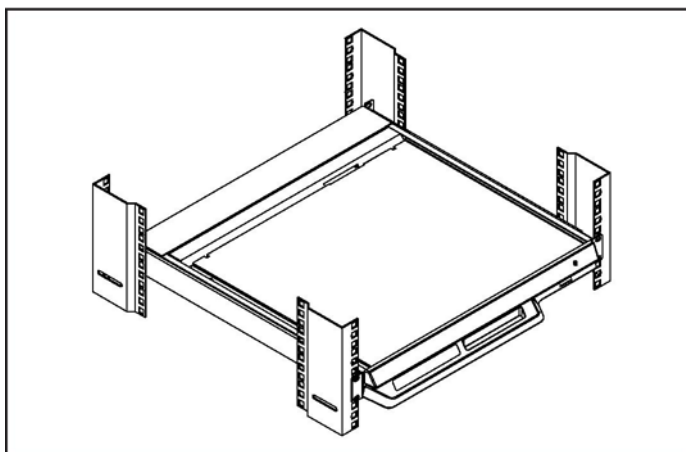
Installation Slides

**Step 1**

- Insert the left and right rear mounting brackets into the LCD console drawer.

**Step 2**

- Measure the depth of the front and rear mounting rails.
- Align each rear mounting bracket to a suitable length.

**Step 3****Complete the installation**

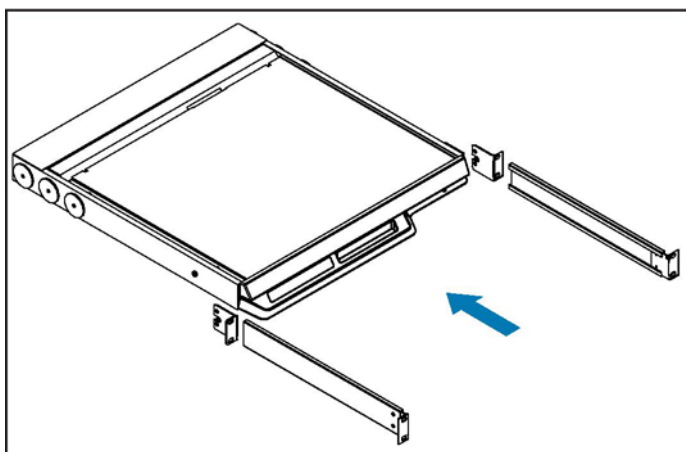
- Fix the LCD console drawer into the rack.

 M6 screw, cage nut & cup washer x 8 are provided.

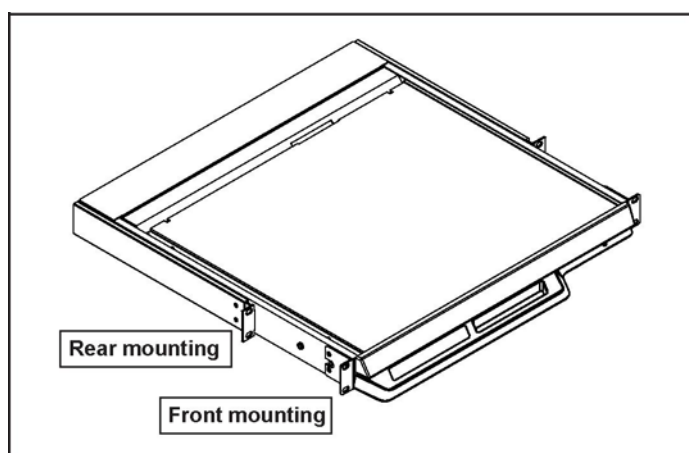
< 1.3 > Installation - How to install

2 post rack brackets

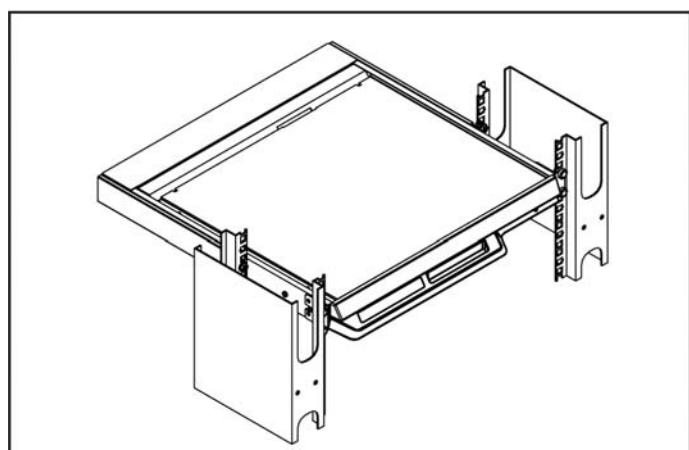
NVP117 / 119

**Step**


- Release front mounting ears before applying 2 post rack brackets.
- Insert rear mounting brackets into the LCD console drawer.

Optional**Step**

- Align each rear mounting bracket to a suitable length.

**Step****Complete the installation**

- Fix the LCD console drawer into the 2 post rack.

 **M6 screw, cage nut & cup washer x 8 are not provided.**

< 1.3 > Installation- How to use the drawer



- Hold the handle and slide out the drawer.



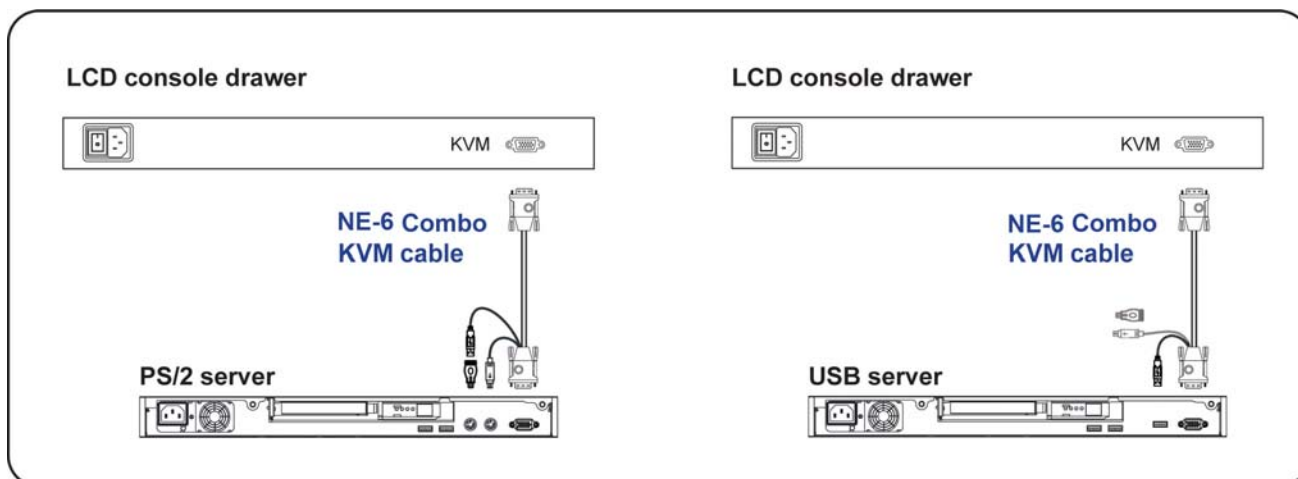
- Flip up the LCD to a suitable angle.



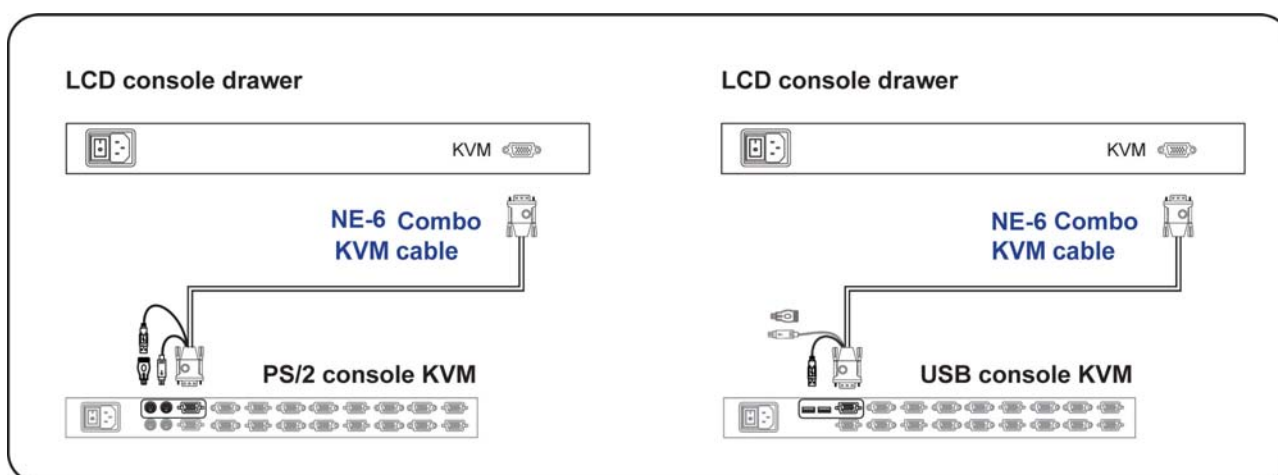
- Operate the LCD console drawer.

< 1.4 > Connection to PS/2 or USB Server

NVP117 / 119



< 1.4 > Connection to external KVM



Caution : The LCD console drawer is hot-pluggable, but components of connected devices, such as the servers and KVM switch, may not be hot-pluggable. Plugging and unplugging cables while servers and KVM are powered on may cause irreversible damage to the servers, KVM and LCD console drawer. Before attempting to connect anything to the LCD console drawer, we suggest turning off the power to all devices. Apply power to connected devices again only after the LCD console drawer is receiving power. The company is not responsible for damage caused in this way.

<Part 2 >

< 2.1 > Product Specifications

LCD Panel		NVP117	NVP119
	Manufacturer	AUO	AUO
	Panel Size (diagonal)	17-inch TFT color LCD	19-inch TFT color LCD
	Display pixel (dots x lines)	1280 x 1024	1280 x 1024
	Brightness (typ.)	250	250
	Contrast Ratio (typ.)	1000:1	1000:1
	Color	16.7 M	16.7 M
	Viewing Angle (L/R/U/D)	80/80/80/80	85/85/80/80
	Response Time (ms)	5	5
	Dot pitch (mm)	0.264	0.294
	Display Area (mm)	337.92H x 270.33V	376.32H x 301.06V
	Surface treatment	Haze 25%, Hard-coating	
	Surface hardness	3H	3H
	Backlight Type	CCFL	LED
MTBF (hrs)	50,000	30,000	

Video Connectivity	Digital	HDMI	HDMI 1.1, CEA-861-D
		DVI	DVI-D, TMDS single link
	Analog	VGA	Analog 0.7Vp-p
		Composite (BNC)	NTSC & PAL
		S-Video (4-pin)	NTSC & PAL
	Plug & Play	DVI / VGA	VESA EDID structure 1.3
	Synchronization	VGA	Separate, Composite & SOG

Audio Connectivity	Audio Input	Connector	3.5mm stereo jack
		Impedance / Power level	30kQ / 750mV
	Audio Output	Connector	3.5mm stereo jack
		Resistance / Power level	30kQ / 2.8V
		Speaker Output	Power

*When the audio output is connected, speaker output is OFF

Power	Power Supply	Range	Auto-sensing 100 to 240VAC, 50 / 60Hz
		Power Consumption	Screen display ON
	Power saving mode		4W or less
	Power button OFF		1W or less

Regulatory	Safety Approval	cUL, FCC & CE, RoHS
------------	-----------------	---------------------

NVP117 / 119

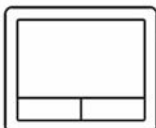
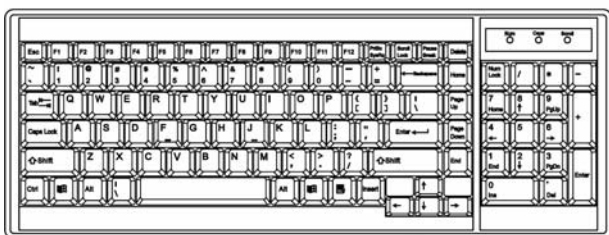
Environmental Conditions	Operating	Temperature	0 to 50°C degree
		Humidity	20~90%, non-condensing
	Storage	Temperature	-5 to 60°C degree
		Humidity	5~90%, non-condensing
		Shock	10G acceleration (11ms duration)
Vibration	5~500Hz 1G RMS random		

Physical Specification		NVP117	NVP119
	Product (W x D x H)	441.6 x 460 x 44 mm 17.4 x 18.1 x 1.73 inch	441.6 x 500 x 44 mm 17.4 x 19.7 x 1.73 inch
	Packing (W x D x H)	590 x 823 x 140 mm 23.2 x 32.4 x 5.5 inch	590 x 823 x 140 mm 23.2 x 32.4 x 5.5 inch
	Net Weight	12 kgs / 26 lbs	12.7 kgs / 27.9 lbs
	Gross Weight	16.6 kgs / 36.5 lbs	17.3 kgs / 38.1 lbs

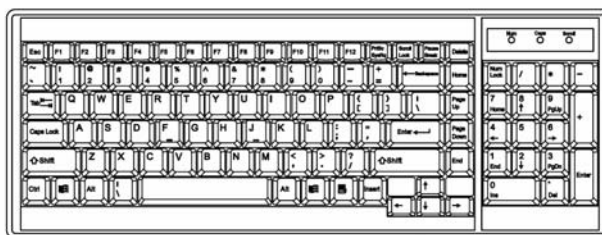
Applicable Format	VGA Input	PC Signal	1280 x 1024 x 60 / 75Hz
			1280 x 960 x 60Hz
			1280 x 760 x 60 / 75Hz
			1152 x 864 x 75Hz
			1024 x 768 x 60 / 70 / 75Hz
			848 x 480 x 60Hz
			800 x 600 x 60 / 72 / 75Hz
			720 x 400 x 70Hz
			640 x 480 x 60 / 72 / 75Hz
			640 x 400 x 70Hz
640 x 350 x 70Hz			

< 2.2 > Keyboard / Mouse Specifications

e keyboard integrated with touchpad



b keyboard integrated with trackball



Key force	55 ± 5g
Travelling distance	3 ± 0.3mm
Switch life	> 10 million life cycle time
Software support	MS Windows 7 / 2008 / 2003 / 2000 / XP / ME / 98 / DOC Linux / Mac

Supporting layouts

America



United States



United Kingdom



Germany



France



Spain



Norway

EMEA



Italy



Russia



Switzerland



Netherlands



Portugal

Asia



China



Japan



Korea



Arabia







Turkey

< 2.3 > On-screen Display Operation (OSD)



NVP117 / 119



Membrane Switch	Function
	Turn the monitor on or off
	Display the OSD menu Act as an Enter key to select screen setting options
	Scroll through menu options and adjust the displayed control
	Exit the OSD screen Go back to the previous on-screen sub-menu or main menu






Remark : All LED touch buttons in **WHITE** light.

The LED of **Power**  touch button will flash continuously when there is no signal input.

- ① All the LED touch buttons will automatically turn off after 10 minutes of idle status (except the **Power** ).
- ② Light up all membrane buttons, please press any button for 1 - 2 seconds (except the **Power** ).

< 2.3 > On-screen Display Operation (OSD)

Ver: G56SN20SSTD701
1024 x 768 59.8Hz

Image

Brightness 50

Contrast 50

Color Temp User

Red 255

Green 255

Blue 255

Adjust: ← →
Select: ↑ ↓
Set: ●/□
Exit: ↵

OSD Configuration Page







Image:
for the brightness, contrast, color temp, red, green, and blue




Geometry:
for the auto adjust, H position, V position, phase and clock



Video:
for the colour, tint, sharpness, noise reduction, DCDi and TV Setup



Audio:
for volume, bass, treble, balance, AVL and mute



Misc:
for the language, OSD position, graphic mode, ratio, reset and timer

<Part 3 >

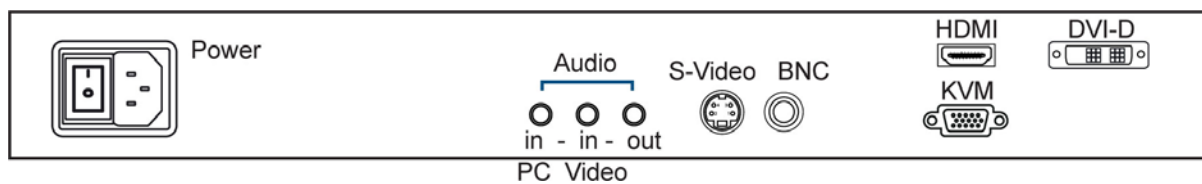
NVP117 / 119

< 3.1 > Options :

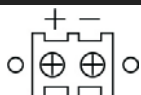
HDMI (HDMI 1.1, CEA-861-D)**DVI-D** (DVI-D TMDS single link)**AV** (S-Video + Composite, BNC)**Audio** (3.5mm audio jacks for audio in & out, and 2W + 2W speakers)

(1) Either HDMI or DVI-D can be selected.

(2) For the above options, NVP117 depth will be extended from 460mm (18.1") to 530mm (20.9") and NVP119 depth will be extended from 500mm (19.7") to 570mm (22.4")



< 3.2 > Options : DC Power



Model	12V	24V	48V
Input rating			
Input voltage:	12-Volt	24-Volt	48-Volt
Input range:	9 ~ 18V	18 ~ 36V	36 ~ 75V
Input current			
- No load	50 mA	50 mA	50 mA
- Full load	4950 mA	2450 mA	1220 mA
Output rating			
Output voltage:	12-Volt	12-Volt	12-Volt
Output current:	4.16A	4.16A	4.16A
Efficiency	84%	85%	85%

DC power



For DC power option:

- (1) Option excludes 1 x power cord and 1 x AC power adapter.
- (2) NVP117 depth will be extended from 460mm (18.1") to 530mm (20.9")
- (3) NVP119 depth will be extended from 500mm (19.7") to 570mm (22.4")



i-Tech Company LLC
TOLL FREE: (888) 483-2418
EMAIL: info@itechlcd.com
WEB: www.iTechLCD.com