

## User Manual 32" FHD 1920 x 1080 LCD



### iAP-3200W

Aluminum front bezel

### iNAP-3200W

Front NEMA4 / IP65



### iOP-3200W

Universal Mounting Open Frame



REACH

## Legal Information

First English printing, October 2002

Information in this document has been carefully checked for accuracy; however, no guarantee is given to the correctness of the contents. The information in this document is subject to change without notice. We are not liable for any injury or loss that results from the use of this equipment.

## Safety Instructions

**Please read all of these instructions carefully before you use the device. Save this manual for future reference.**

- Unplug equipment before cleaning. Don't use liquid or spray detergent; use a moist cloth.
- Keep equipment away from excessive humidity and heat. Preferably, keep it in an air-conditioned environment with temperatures not exceeding 40° Celsius (104° Fahrenheit).
- When installing, place the equipment on a sturdy, level surface to prevent it from accidentally falling and causing damage to other equipment or injury to persons nearby.
- When the equipment is in an open position, do not cover, block or in any way obstruct the gap between it and the power supply. Proper air convection is necessary to keep it from overheating.
- Arrange the equipment's power cord in such a way that others won't trip or fall over it.
- If you are using a power cord that didn't ship with the equipment, ensure that it is rated for the voltage and current labeled on the equipment's electrical ratings label. The voltage rating on the cord should be higher than the one listed on the equipment's ratings label.
- Observe all precautions and warnings attached to the equipment.
- If you don't intend on using the equipment for a long time, disconnect it from the power outlet to prevent being damaged by transient over-voltage.
- Keep all liquids away from the equipment to minimize the risk of accidental spillage. Liquid spilled on to the power supply or on other hardware may cause damage, fire or electrical shock.
- Only qualified service personnel should open the chassis. Opening it yourself could damage the equipment and invalidate its warranty.
- If any part of the equipment becomes damaged or stops functioning, have it checked by qualified service personnel.

## What the warranty does not cover

- Any product, on which the serial number has been defaced, modified or removed.
- Damage, deterioration or malfunction resulting from:
  - Accident, misuse, neglect, fire, water, lightning, or other acts of nature, unauthorized product modification, or failure to follow instructions supplied with the product.
  - Repair or attempted repair by anyone not authorized by us.
  - Any damage of the product due to shipment.
  - Removal or installation of the product.
  - Causes external to the product, such as electric power fluctuation or failure.
  - Use of supplies or parts not meeting our specifications.
  - Normal wear and tear.
  - Any other causes which does not relate to a product defect.
- Removal, installation, and set-up service charges.

## Regulatory Notices Federal Communications Commission (FCC)

This equipment has been tested and found to comply with the limits for a Class B digital device, pursuant to Part 15 of the FCC rules. These limits are designed to provide reasonable protection against harmful interference in a residential installation.

Any changes or modifications made to this equipment may void the user's authority to operate this equipment. This equipment generates, uses, and can radiate radio frequency energy and, if not installed and used in accordance with the instructions, may cause harmful interference to radio communications.

However, there is no guarantee that interference will not occur in a particular installation. If this equipment does cause harmful interference to radio or television reception, which can be determined by turning the equipment off and on, the user is encouraged to try to correct the interference by one or more of the following measures:

- Re-position or relocate the receiving antenna.
- Increase the separation between the equipment and receiver.
- Connect the equipment into an outlet on a circuit different from that to which the receiver is connected.

# Contents

## < Part. 1 > **iAP-3200W / iNAP-3200W**

1.1	Package Content	P.1
1.2	Structure Diagram & Dimension	P.2 - 3
1.3	Mounting Hardware & Installation	P.4 - 5

## < Part. 2 > **iOP-3200W**

2.1	Package Content	P.6
2.2	Structure Diagram & Dimension	P.7 - 8
2.3	Mounting Hardware & Installation	P.9

## < Part. 3 > **Specifications / OSD / Remote Controller**

3.1	Product Specifications	P.10 - 11
3.2	On-screen Display Operation ( OSD )	P.12 - 13
3.3	Picture In Picture ( PIP ) / Picture By Picture ( PBP )	P.14 - 15
3.4	Remote Controller ( RC-2 )	P.16

## < Part. 4 > **Options**

4.1	Option Table	P.17
4.2	3G / HD / SD- <b>SDI</b> Broadcast-grade input	P.18
4.3	<b>MCS</b> Multi-display control solution	P.19
4.4	Projected Capacitive ( 10-point touch ) Capacitive ( single point touch )	P.20 - 21
4.5	48V or 24VDC power	P.21
4.6	MIL-type or lockable connector	P.22
4.7	TV ( Analog )	P.23

## Before Installation

- It is very important to mount the equipment in a suitable cabinet or on a stable surface.
- Make sure the place has a good ventilation, is out of direct sunlight, away from sources of excessive dust, dirt, heat, water, moisture and vibration.

## Unpacking

The equipment comes with the standard parts shown in package content. Check and make sure they are included and in good condition. If anything is missing, or damaged, contact the supplier immediately.

## How To Clean Your LCD Monitor



### Caution :

- To avoid the risk of electric shock, make sure your hands are dry before unplugging your monitor from or plugging your monitor into an electrical outlet.
- When you clean your monitor, do not press down on the LCD screen. Pressing down on the screen can scratch or damage your display. Pressure damage is not covered under warranty.
- Use only cleansers made specifically for cleaning monitors and monitor screens. Cleansers not made to clean monitors and monitor screens can scratch the LCD display or strip off the finish.
- Do not spray any kind of liquid directly onto the screen or case of your monitor. Spraying liquids directly onto the screen or case can cause damage which is not covered under warranty.
- Do not use paper towels or abrasive pads to clean your monitor. Using an abrasive pad or any wood based paper product such as paper towels can scratch your LCD screen.

## Cleaning Your Monitor

To clean your LCD safely, please follow these steps :

- ① Disconnect the power cord.
- ② Gently wipe the surface using a clean, dry microfiber cloth. Use as little pressure as possible.

## Cleaning Tough Marks and Smudges

To remove tough marks and smudges, please follow these steps :

- ① Disconnect the power cord.
- ② Spray a small amount of non-abrasive cleanser on a microfiber cloth.



**Caution : Do not spray or apply any liquids directly onto the monitor. Always apply the solution to your microfiber cloth first, not directly on the parts you are cleaning.**

- ③ Gently wipe the surface. Use as little pressure as possible.
- ④ Wait until your monitor is completely dry before plugging it in and powering it up.

**iAP-3200W / iNAP-3200W**

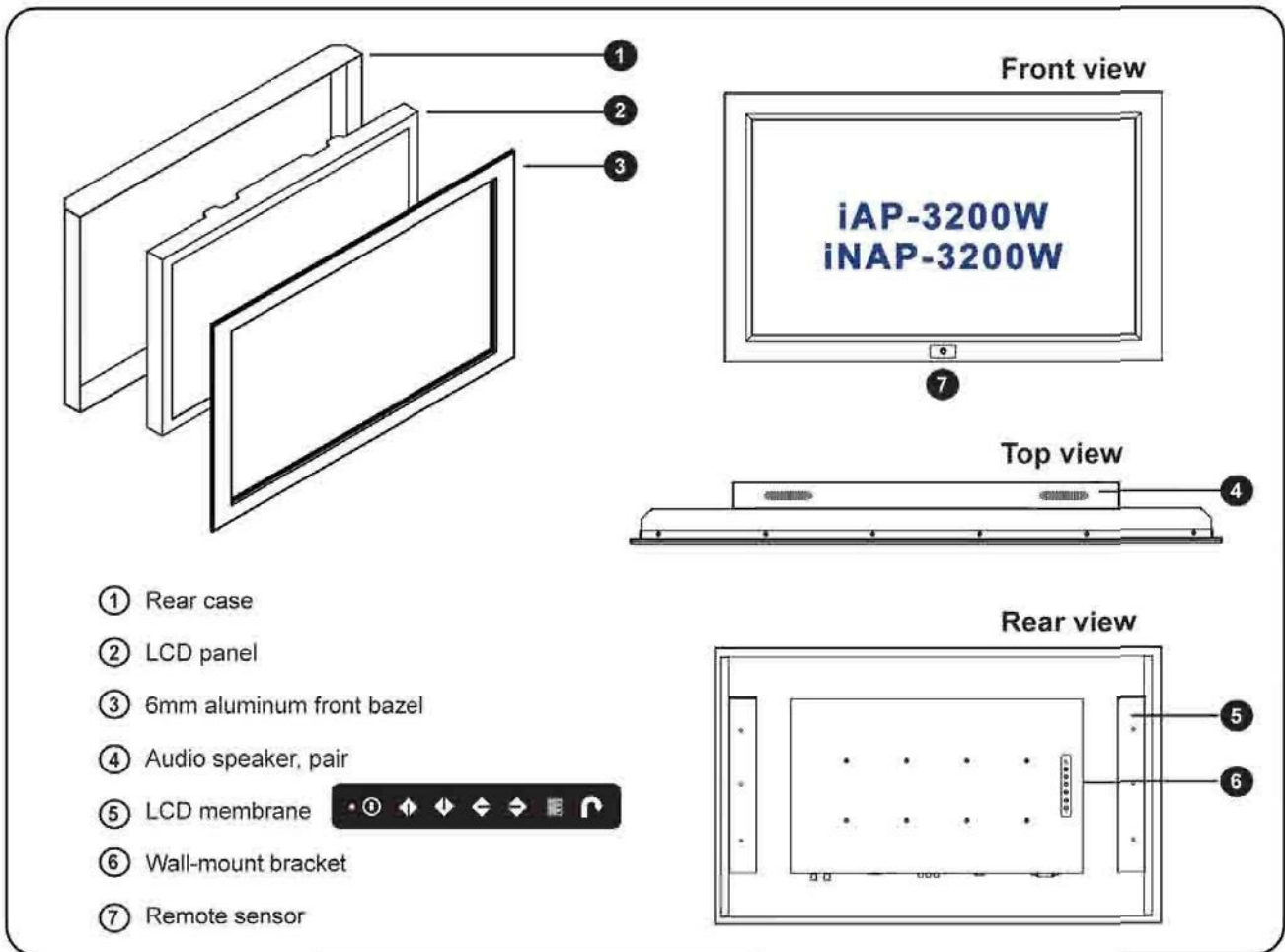


- 32" FHD LCD display X 1
- 6ft VGA cable X 1
- Power cord X 1
- Remote controller X 1
- Wall-mount bracket set X 1

**Basic I/O**



## < 1.2 > Structure Diagram - iAP / iNAP-3200W

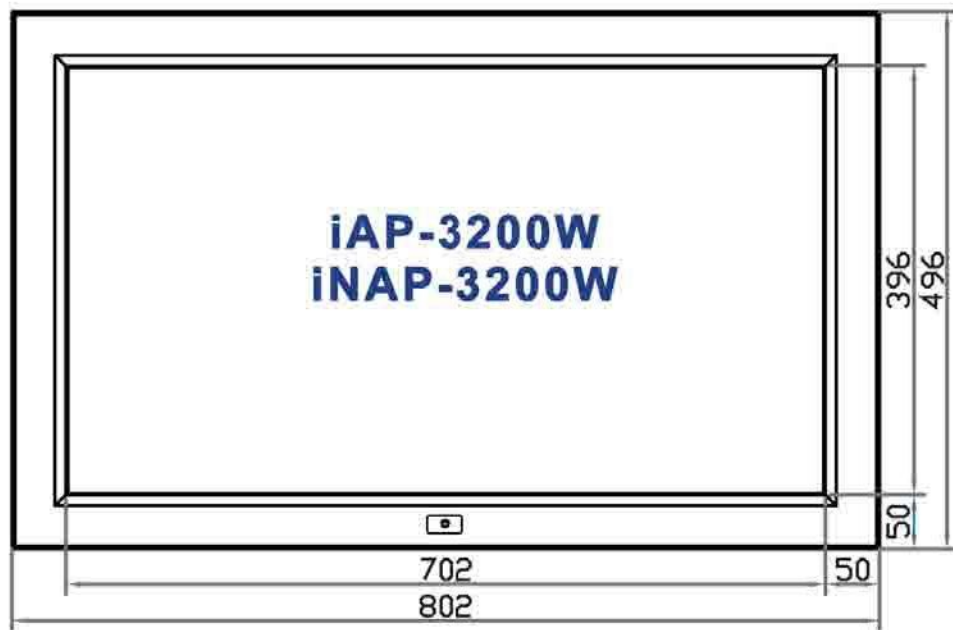


Model	Product Dimension (W x D x H)	Packing Dimension (W x D x H)	Net Weight	Gross Weight
<b>iAP-3200W</b>	802 x 83 x 496 mm 31.6 x 3.3 x 19.5 inch	910 x 195 x 580 mm 35.8 x 7.7 x 22.8 inch	20.9 kg 46 lbs	25.7 kg 56.5 lbs
<b>iNAP-3200W</b>	802 x 83 x 496 mm 31.6 x 3.3 x 19.5 inch	910 x 195 x 580 mm 35.8 x 7.7 x 22.8 inch	23.1 kg 50.8 lbs	27.9 kg 61.4 lbs

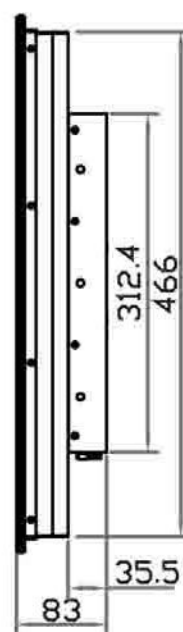
< 1.2 > Dimension - iAP / iNAP-3200W

32" FHD LCD Display

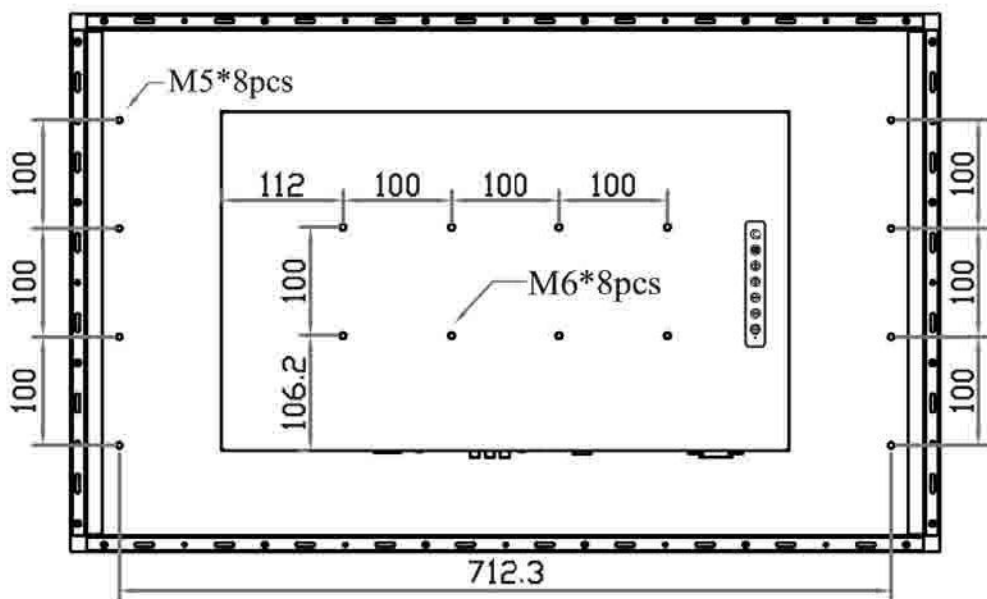
Front View



Side View

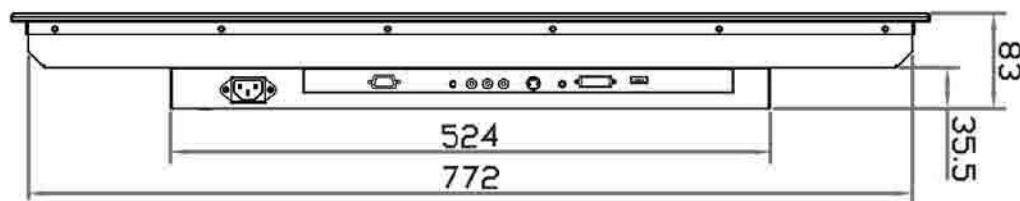


Rear View

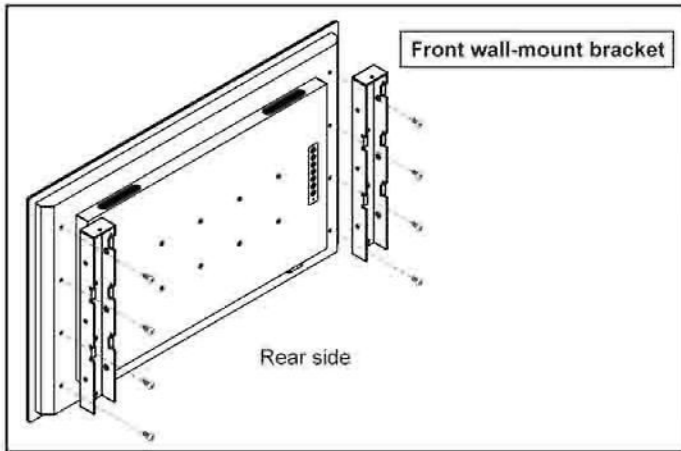


UNIT : mm  
1mm = 0.03937 inch

Bottom View

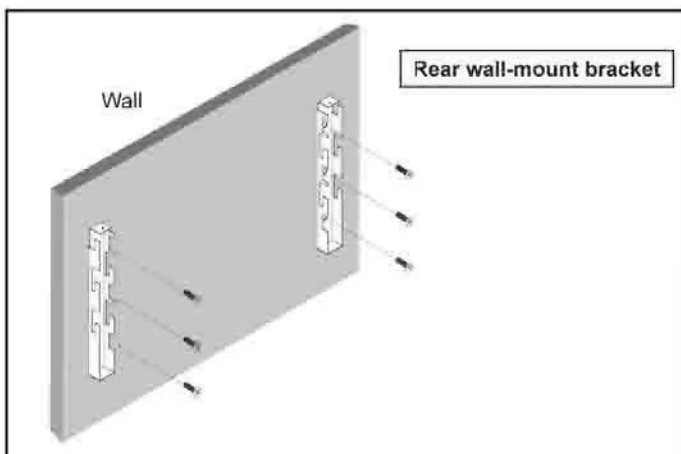


## < 1.3 > Wall-mount Installation - iAP / iNAP-3200W



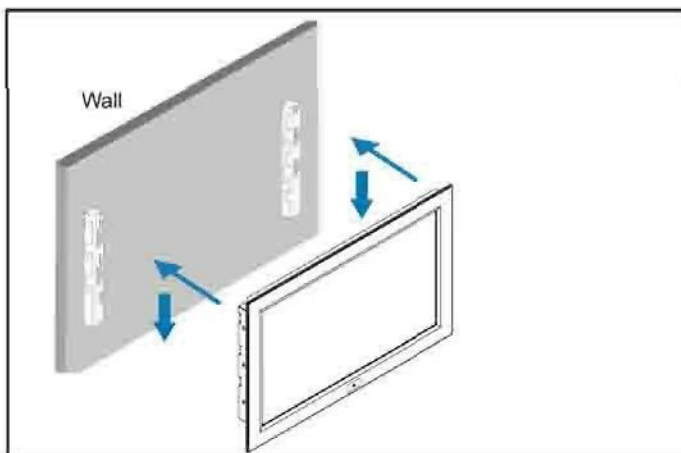
### Step 1

- Install left & right front wall-mount brackets at the rear side of the LCD shown above.
- M5 screw x 8 pcs included ( Left & right side ).

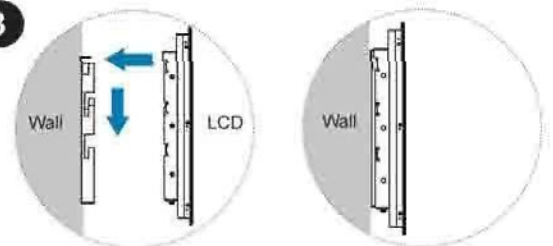


### Step 2

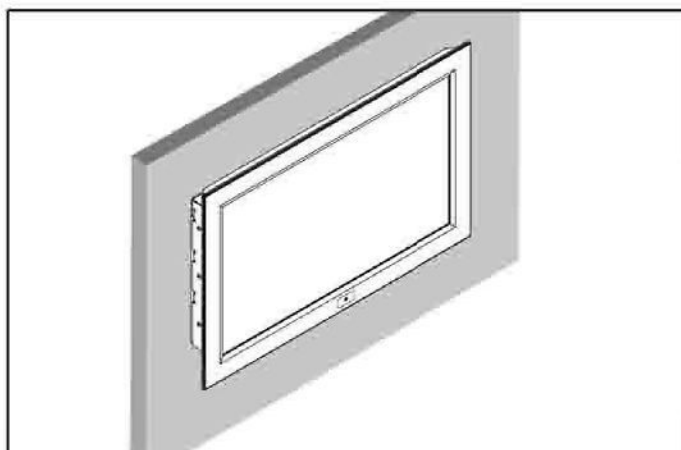
- Install left & right rear wall-mount brackets on the wall shown above.
  - 6 x M10 screws required ( Left & right side ).
- M10 screw sets are not provided.**



### Step 3

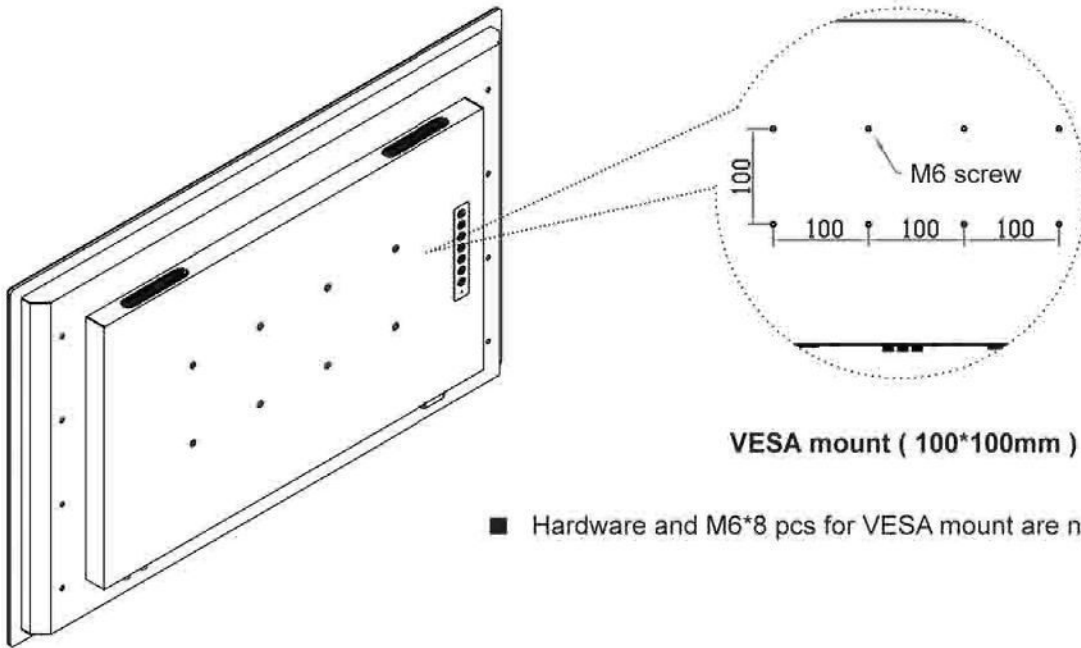


- Attach the LCD to the rear wall-mount brackets on the wall.



### Step 4

**Installation Completed.**



■ Hardware and M6\*8 pcs for VESA mount are not provided

< Part 2 >

< 2.1 > Package Content - iOP-3200W

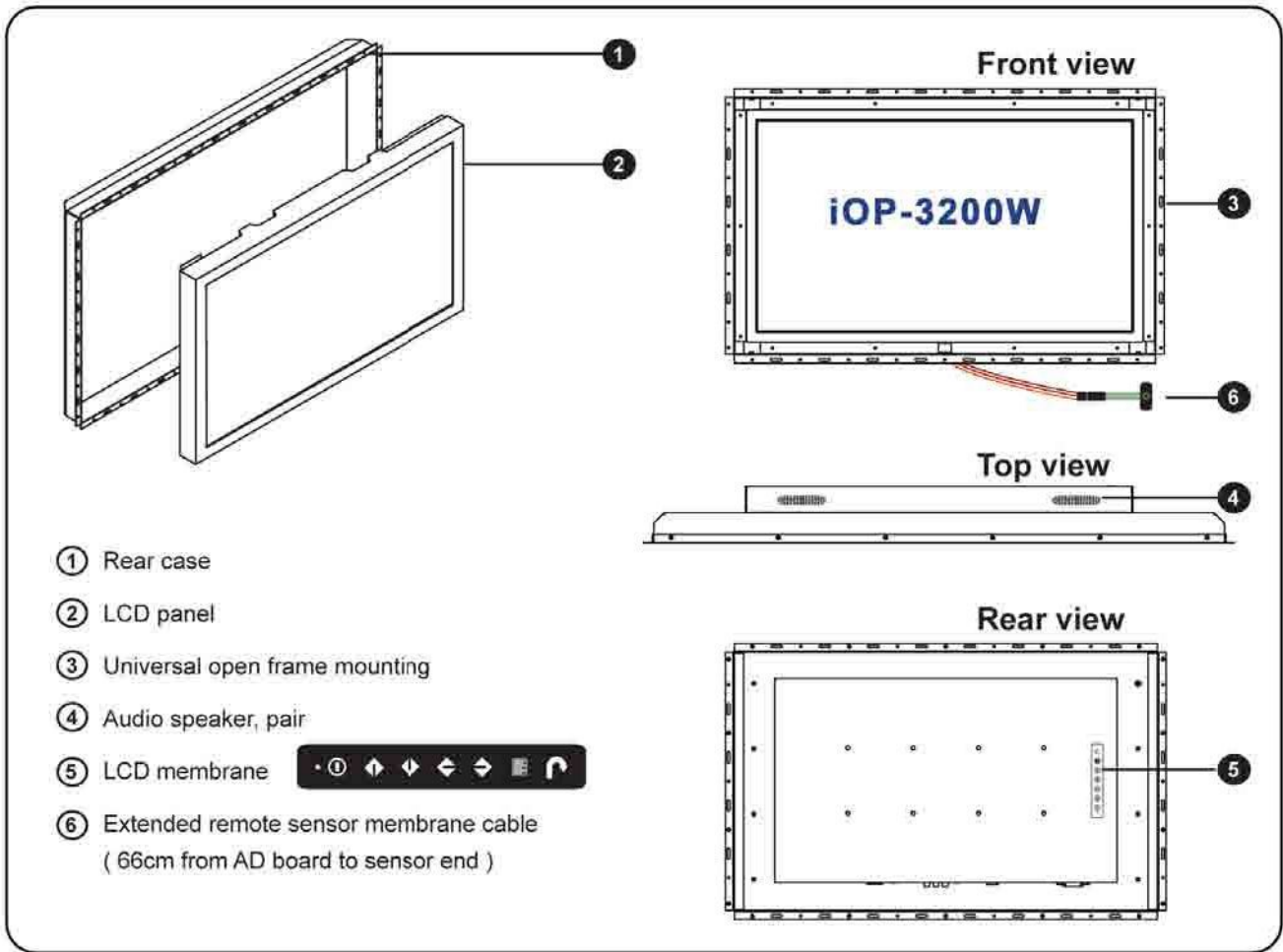
**iOP-3200W**



- 32" FHD LCD display X 1
- 6ft VGA cable X 1
- Power cord X 1
- Remote controller X 1

Basic I/O

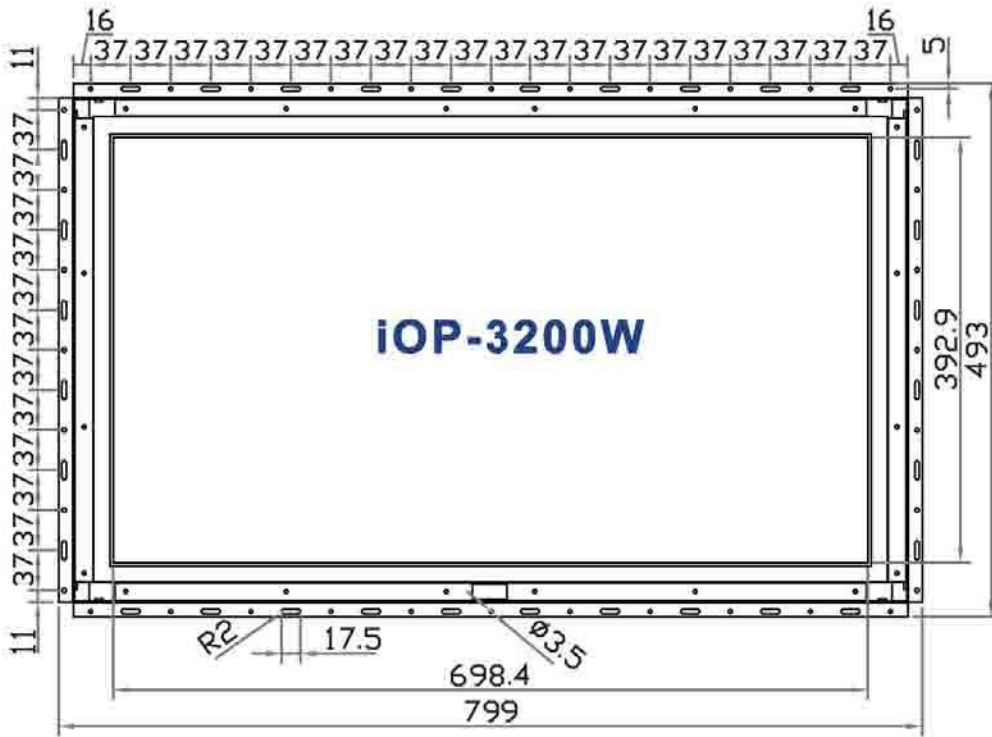




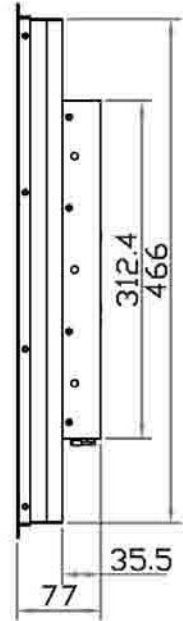
Model	Product Dimension (W x D x H)	Packing Dimension (W x D x H)	Net Weight	Gross Weight
<b>iOP-3200W</b>	799 x 77 x 493 mm 31.5 x 3 x 19.4 inch	910 x 195 x 580 mm 35.8 x 7.7 x 22.8 inch	16.4 kg 36.1 lbs	21.2 kg 46.6 lbs

< 2.3 > Dimension - iOP-3200W

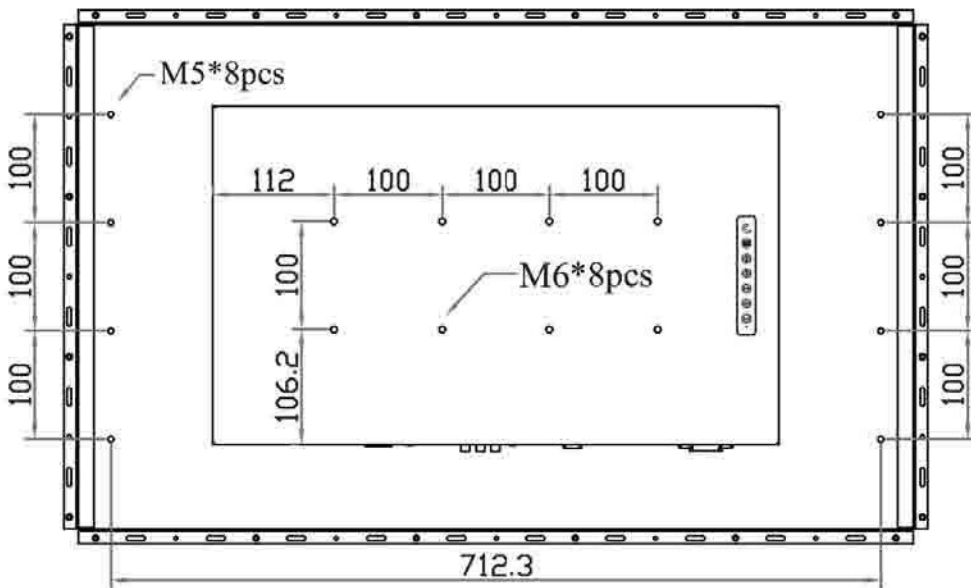
Front View



Side View

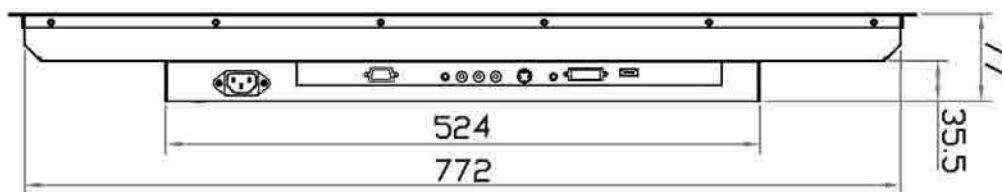


Rear View

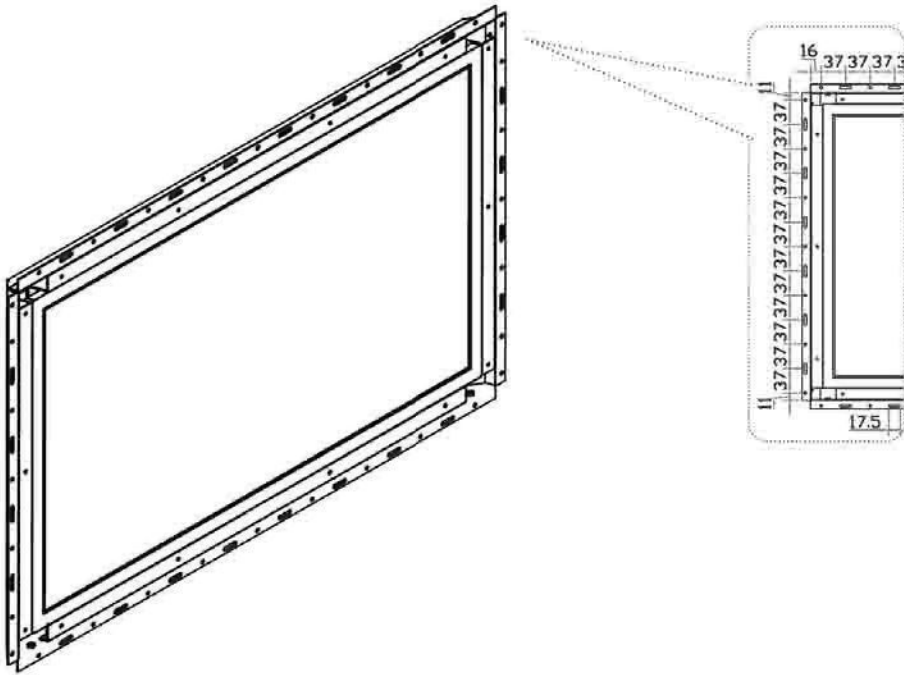


UNIT : mm  
1mm = 0.03937 inch

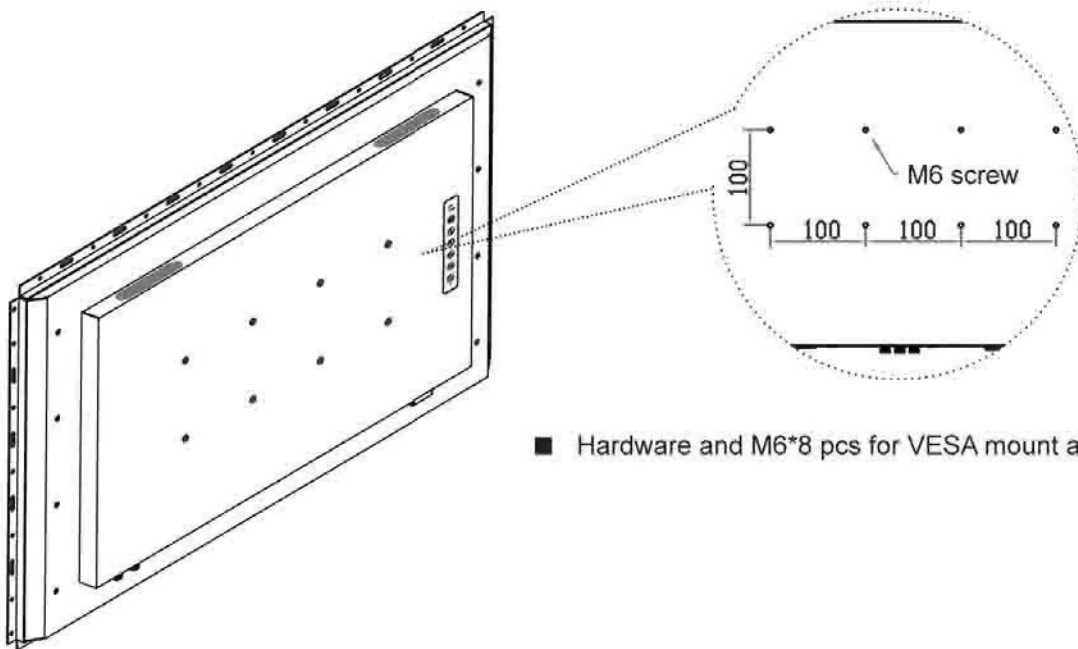
Bottom View



( I ) Universal mount



( II ) VESA mount ( 100\*100mm )



■ Hardware and M6\*8 pcs for VESA mount are not provided

## < Part 3 >

### < 3.1 > Product Specifications

Mechanical Design		iAP / iNAP-3200W	iOP-3200W
	Front Panel	Black, RAL 9005	-
	Rear Casing	Black, RAL 9005	Black, RAL 9005
	VESA Mounting	100 x 100mm	100 x 100mm
	Other Mounting	Panel mount	Universal mount
	Protection	3mm protective glass	-

LCD Panel	Manufacturer	 LG	
	Panel Size ( diagonal )	32-inch Widescreen TFT color LCD	
	Display pixel ( dots x lines )	1920 x 1080	
	Brightness ( typ. )	360	
	Contrast Ratio ( typ. )	1400:1	
	Color	16.7 M	
	Viewing Angle ( L/R/U/D )	89/89/89/89	
	Response Time ( ms )	8	
	Dot pitch ( mm )	0.36375	
	Display Area ( mm )	698.4H x 392.9V	
	Surface treatment	Haze < 1%, Hard-coating	
	Surface hardness	2H	
	Backlight Type	LED	
	MTBF ( hrs )	50,000	

Video Connectivity	Digital	HDMI	HDMI 1.1, CEA-861-D
		DVI	DVI-D, TMDS single link
	Analog	VGA	Analog 0.7Vp-p
		Composite ( RCA )	NTSC & PAL
		S-Video ( 4-pin )	NTSC & PAL
	Plug & Play	DVI / VGA	VESA EDID structure 1.3
	Synchronization	VGA	Separate, Composite & SOG

Audio Connectivity	Audio Input	Connector	3.5mm stereo jack
		Impedance / Power level	30kΩ / 750mV
	Audio Output	Connector	3.5mm stereo jack
		Resistance / Power level	30kΩ / 2.8V
	Speaker Output	Power	2 x 10W

\*When the audio output is connected, speaker output is OFF

Power	Power Supply	Range	Auto-sensing 100 to 240VAC, 50 / 60Hz
		Power Consumption	Screen display ON
	Power saving mode		9W or less
	Power button OFF		2W or less

## < 3.1 > Product Specifications

## 32" FHD LCD Display

<b>Regulatory</b>	Safety	FCC & CE certified
	Environmental	RoHS2 & REACH compliant


<b>Environmental Conditions</b>	Operating	Temperature	0 to 50°C degree
		Humidity	20~90%, non-condensing
	Storage	Temperature	-5 to 60°C degree
		Humidity	5~90%, non-condensing
		Shock	10G acceleration (11ms duration)
		Vibration	5~500Hz 1G RMS random



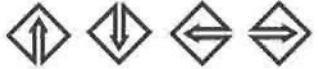


<b>Physical Specification</b>		<b>iAP-3200W</b>	<b>iNAP-3200W</b>	<b>iOP-3200W</b>
	Product ( W x D x H )	mm	802 x 83 x 496	802 x 83 x 496
inch		31.6 x 3.3 x 19.5	31.6 x 3.3 x 19.5	31.5 x 3 x 19.4
Packing ( W x D x H )	mm	910 x 195 x 580	910 x 195 x 580	910 x 195 x 580
	inch	35.8 x 7.7 x 22.8	35.8 x 7.7 x 22.8	35.8 x 7.7 x 22.8
Net Weight		20.9 kgs / 46 lbs	23.1 kgs / 50.8 lbs	16.4 kgs / 36.1 lbs
Gross Weight		25.7 kgs / 56.5 lbs	27.9 kgs / 61.4 lbs	21.2 kgs / 46.6 lbs

<b>Applicable Format</b>	DVI-D / VGA Input	PC Signal	1920 x 1080 x 60Hz
			1366 x 768 x 60Hz
			1280 x 1024 x 60 / 75Hz
			1280 x 960 x 60Hz
			1280 x 768 x 60 / 75Hz
			1152 x 864 x 75Hz
			1024 x 768 x 60 / 70 / 75Hz
			848 x 480 x 60Hz
			800 x 600 x 60 / 72 / 75Hz
			720 x 400 x 70Hz
			640 x 480 x 60 / 72 / 75Hz
			640 x 400 x 70Hz
	640 x 350 x 70Hz		
	HDMI Input	PC Signal	Same as VGA
			Video Signal
Audio Signal			
Composite / S-Video Input	NTSC	525 lines, 60 fields / sec	
		PAL	625 lines, 50 fields / sec

## < 3.2 > On-screen Display Operation ( OSD )

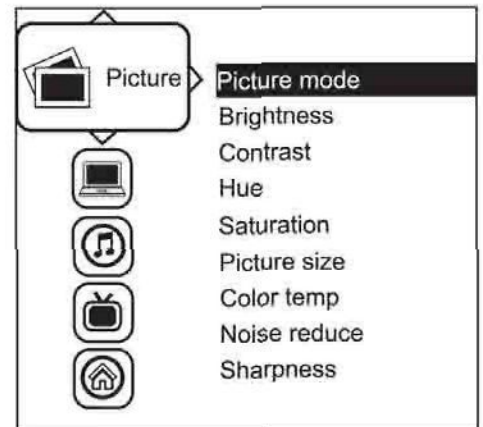
○ Power light  
● Green = On  
● Orange = Power saving



Membrane Switch	Function
	Power on / off LCD
	Display the OSD menu
	Scrolls through menu options and adjusts the displayed control (To auto adjustment by pressing the button  for 5 seconds)
	Exit the OSD screen Toggle analog, digital & video connection (DVI-D and video options only)

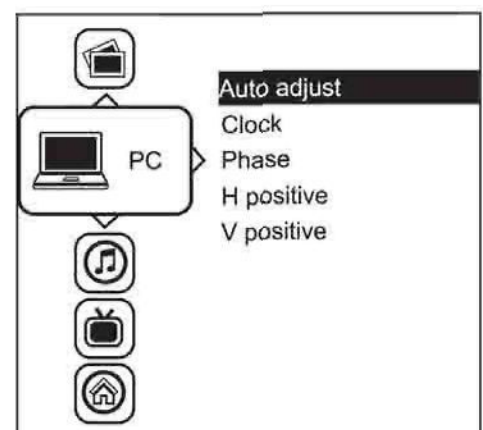
### ① Picture

Picture mode :	Standard / Vivid / Soft / User mode to choose
Brightness :	Adjust background black level of the screen image
Contrast :	Adjust the difference between the image background (black level) and the foreground (white level)
Hue:	Adjust the screen hue value
Saturation :	Adjust the saturation of the image color
Picture size :	Adjust the image size
Color temp :	Standard / Cool / Warm / User to choose
Noise reduce :	Reduce the noise of the image
Sharpness :	Adjust the image from weak to sharp



### ② PC

Auto adjust :	Automatically adjust sizes, centers and fine tunes the video signal to eliminate waviness and distortion.
Clock :	Adjust the clock value
Phase :	Adjust the phase value
H. Position :	Align the screen image left or right
V. Position :	Align the screen image up or down

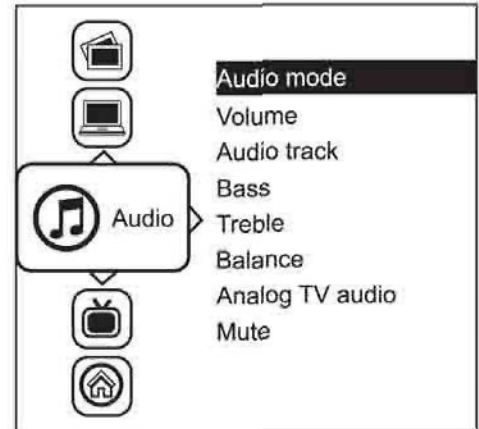


## < 3.2 > On-screen Display Operation ( OSD )

32" FHD LCD Display

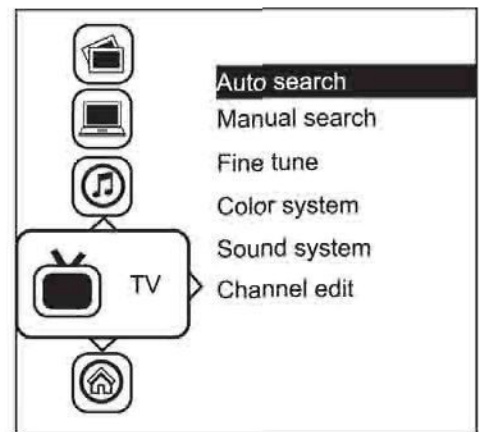
### ③ Audio

Audio mode :	Movie / Voice / Normal / Music mode to choose
Volume :	Adjust the volume of sound
Bass :	Set the value of bass sound
Treble :	Set the value of treble sound
Balance :	Set the balance value of treble and bass sound
Analog TV audio :	Set the value of analog TV audio sound
Mute :	Turn off the surrounding sound



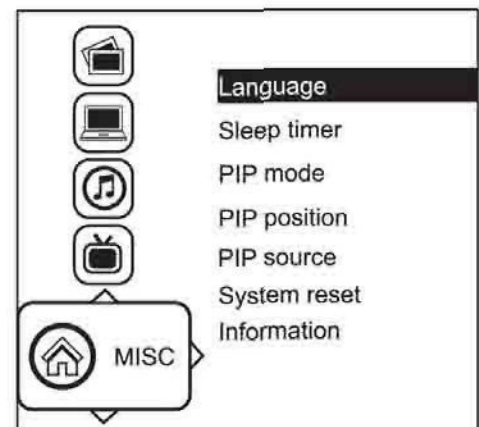
### ④ TV

Auto search :	Automatically search
Manual search :	Search the TV manual
Fine tune :	Fine tune the TV signal
Color system :	Adjust the TV color
Sound system :	Adjust the TV sound
Channel edit :	Edit the channel



### ⑤ MISC

Language :	Select the language in which the OSD menu is displayed - English
Sleep timer :	Set the off time
PIP mode :	Adjust picture in picture setting
PIP position :	Enter into PIP position
PIP source :	Enter into the Sub source and sound source
System reset :	Return the adjustment back to factory setting
Information :	Select for Help



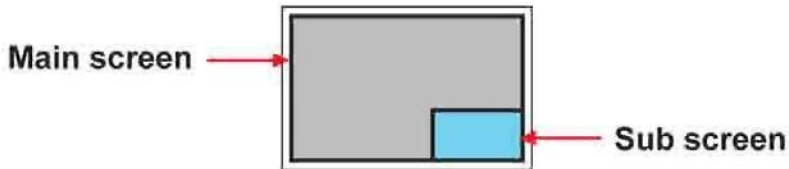
## < 3.3 > How to Use Picture In Picture ( PIP ) / Picture By Picture ( PBP )

### < 3.3.1 > Picture in Picture ( PIP )

#### Mode

Display the Sub screen in the Main screen.

OSD Menu → MISC → PIP Mode → Large / Small / OFF



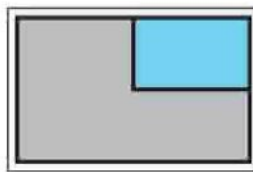
#### Position

Adjust the position of the Sub screen ( top left, bottom left, top right, bottom right )

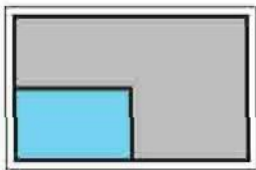
OSD Menu → MISC → PIP Position → top left / top right / bottom left / bottom right



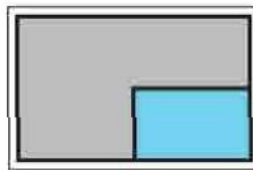
top left



top right



bottom left



bottom right

#### Size

Adjust the size of the Sub screen ( Large / Small )

OSD Menu → MISC → PIP Mode → Large / Small

#### Size of Sub screen

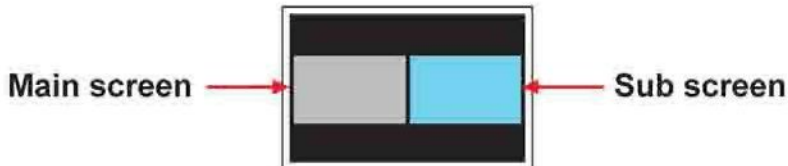
LCD Monitor	Large Sub screen	Small Sub screen
1920 x 1200	552 x 414	480 x 360
1920 x 1080	552 x 414	480 x 360
1440 x 900	414 x 310	360 x 270
1366 x 768	392 x 294	340 x 254
1280 x 1024	368 x 276	320 x 240

### < 3.3.2 > Picture By Picture ( PBP )

#### Mode

Display the Sub screen next to the Main screen.

OSD Menu → MISC → PIP Mode → PBP



#### Size

LCD Monitor	Main / Sub screen
1920 x 1200	955 x 716
1920 x 1080	955 x 716
1440 x 900	715 x 536
1366 x 768	678 x 508
1280 x 1024	635 x 476

### < 3.3.3 > PIP / PBP Source

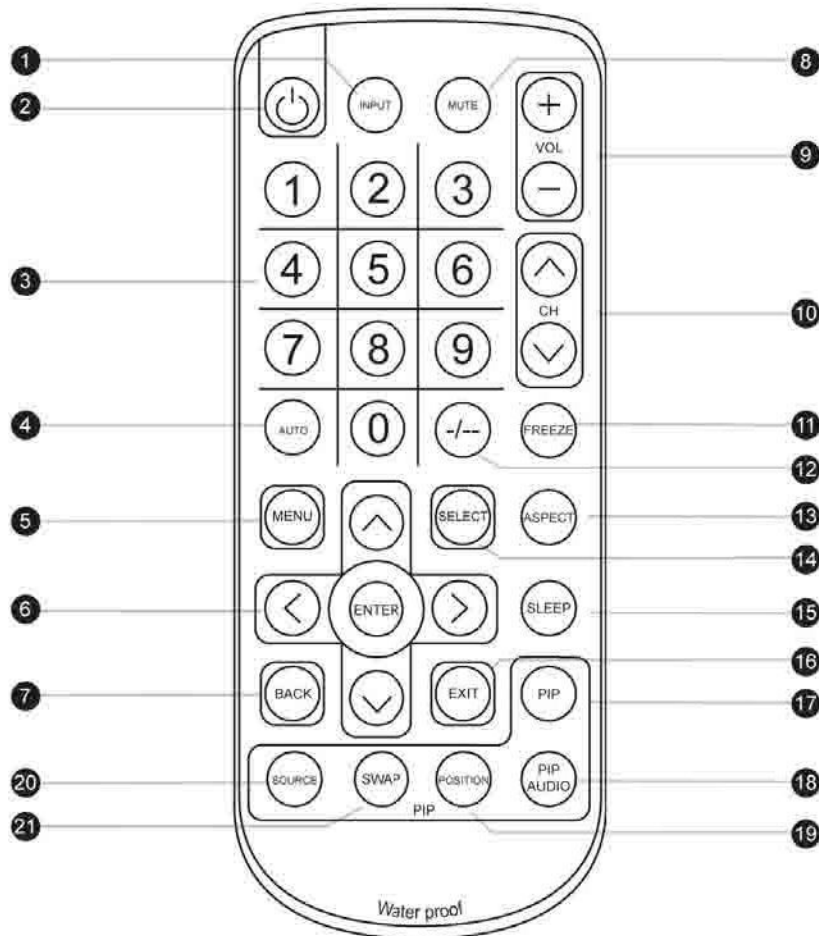
To select an input signal for PIP / PBP Sub screen.

OSD Menu → MISC → PIP Source → VGA / S-Video / Composite / DVI / HDMI / SDI / YPbPr / TV

The PIP / PBP is operable in the following table :

Main \ Sub	VGA	S-Video	Composite	DVI-D	HDMI	SDI	YPbPr	TV
VGA	X	0	0	0	0	0	0	0
S-Video	0	X	X	0	0	0	0	X
Composite	0	X	X	0	0	0	0	X
DVI	0	0	0	X	X	0	0	0
HDMI	0	0	0	X	X	0	0	0
SDI	0	0	0	0	0	X	X	0
YPbPr	0	0	0	0	0	X	X	0
TV	0	X	X	0	0	0	0	X

## < 3.4 > Remote Controller ( RC-2 )



①	<b>INPUT</b>	Select the source
②		Switches on or off the TV
③	<b>0 - 9</b>	Only use in TV mode. Select channels. For channel numbers 10 and above, enter the second digit within two seconds.
④	<b>AUTO</b>	Auto adjust
⑤	<b>MENU</b>	Display the menu on the screen or go to the previous menu
⑥	<b>▲ / ▼ / ◀ / ▶ / ENTER</b>	Go to the upper menu or select the previous value / Go to the next menu or select the next value / Decrease the setting value / Increase the setting value or enter to the select item setting Enter to the select item settings or excude the setting
⑦	<b>BACK</b>	Back to previous value
⑧	<b>MUTE</b>	Turn on or off the speaker
⑨	<b>Vol + / -</b>	Increase or decrease the speaker volume
⑩	<b>CH + / -</b>	For TV model only, increase or decrease the channel number
⑪	<b>FREEZE</b>	Reserve for OEM model
⑫	<b>- / --</b>	For setting input single or double digits
⑬	<b>ASPECT</b>	Adjust the screen size
⑭	<b>SELECT</b>	To select the existing item
⑮	<b>SLEEP</b>	Select the sleeping time
⑯	<b>EXIT</b>	Exit the menu or cancel
<b>PIP functions</b>		
⑰	<b>PIP</b>	Picture in picture
⑱	<b>PIP AUDIO</b>	To set the audio of in PIP mode
⑲	<b>POSITION</b>	To set the screen position in PIP mode
⑳	<b>SOURCE</b>	PIP Source
㉑	<b>SWAP</b>	Swap screen in PIP mode

< 4.1 > Option Table

Options	iAP / INAP	iOP
SDI	✓	✓
Touchscreen	✓	✓
MCS multi-screen control	✓	✓
MIL-type / lockable connector	✓	✓
DC Power	✓	✓
TV	✓	✓

## < 4.2 > Options : 3G / HD / SD-SDI input



iTechLCDs' SDI input is an ideal solution for the broadcast-grade video and high resolution CCTV market.

Designed for use with **NetView** Full HD 1080p and ultra high resolution 1920 x 1200 LCD displays, iTechLCD provides a SDI input module without using additional space or power and it comes standard with a 2-year warranty.

### SDI



<b>INPUT</b>	3G-SDI IN	BNC x 1 / 0.8Vp-p ( 75 ohm )
	3G-SDI OUT	BNC x 1 / Active through, equalized & relocked

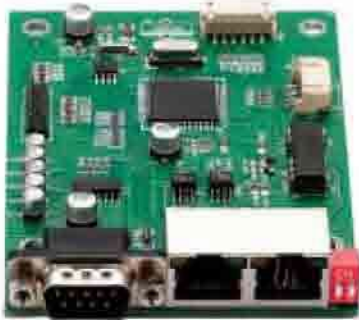
<b>Standard Compliance</b>	Video	SMPTE 425M / 274M / 296M / 125M ITU-R BT.656
	Audio	SMPTE 299M / 272M-C

<b>Compatible Video Format</b>	3G-SDI	1080p @60 / 50Hz, 4:2:2
		1080p @30 / 25 / 24Hz, 4:4:4
		1080i @60 / 50Hz, 4:4:4
		720p @60 / 50Hz, 4:4:4
	HD-SDI	1080p @30 / 25 / 24Hz, 4:2:2
	1080i @60 / 50Hz, 4:2:2	
	720p @60 / 50Hz, 4:2:2	
	SD-SDI	480i @60Hz, 4:2:2
	ITU-R BT.656	576i @50Hz, 4:2:2

<b>Compatible Audio Format</b>	3G-SDI	48kHz, 16 / 20 / 24 bit, 2 CH, Synchronized Video
	HD-SDI	48kHz, 16 / 20 / 24 bit, 2 CH, Synchronized Video
	SD-SDI	48kHz, 16 / 20 / 24 bit, 2 CH, Synchronized / Asynchronized Video

<b>Max. Transmission Distance 75 ohm coaxial cable</b>	3G-SDI	150m at 2.97Gb/s
	HD-SDI	250m at 1.485Gb/s
	SD-SDI	480m at 270Mb/s

**MCS**  
( Multi-display Control )



More control is always good. Especially when it is necessary and easy. iTechLCD provides MCS solution to control the OSD of various NetView LCD display up to 64 units.

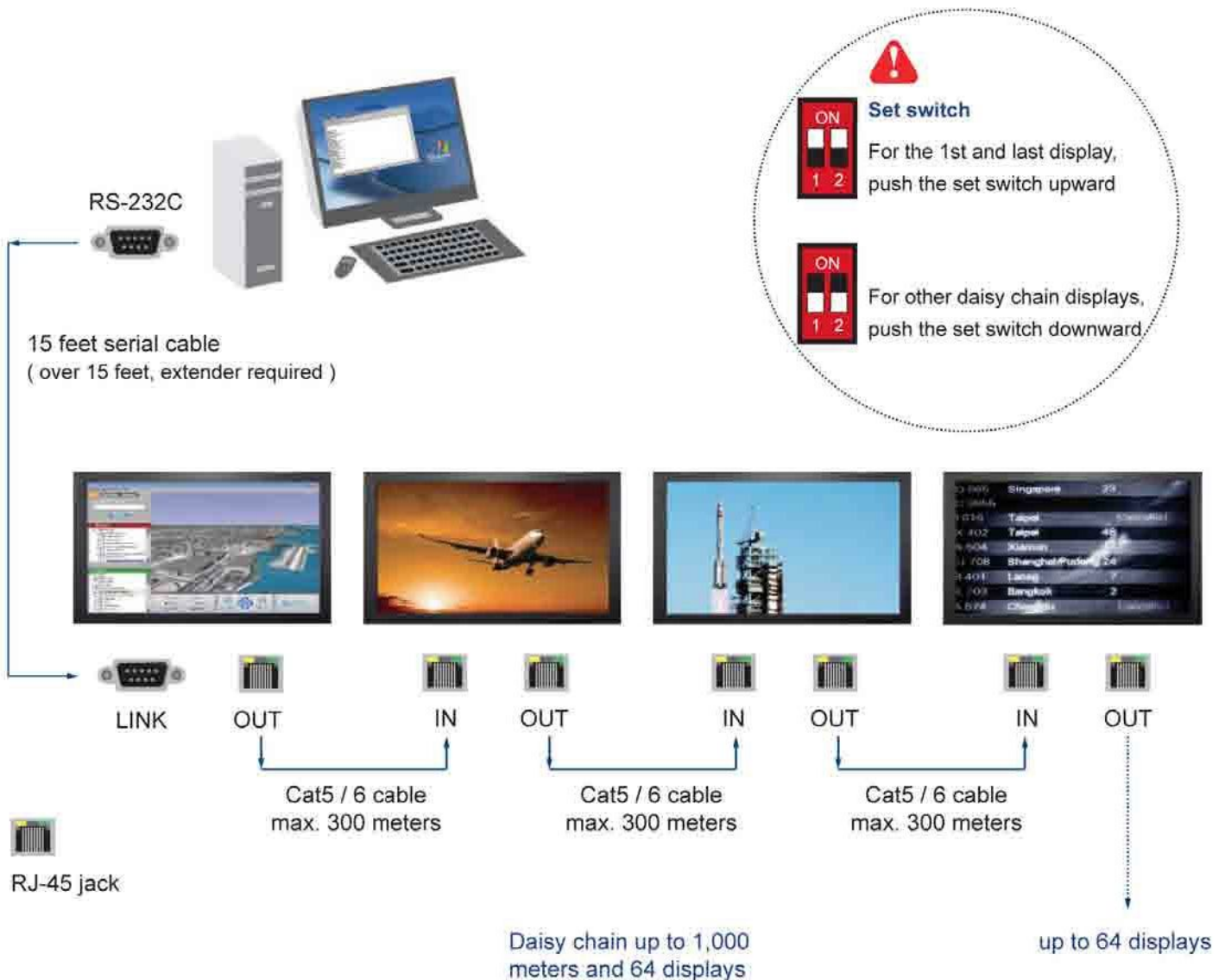
The RS-232C is used for the communication between the PC and the first display via a 15 feet serial cable while the CAN bus is used for the various LCD displays cascade together via CAT 5/6 cable, and daisy chain up to 1,000 meters.

Designed for use with NetView LCD displays, iTechLCD provides a MCS input module without using additional space or power and it comes standard with a 2-year warranty.

**MCS**



\*\*\* Please download the protocol of MCS control



Daisy chain up to 1,000 meters and 64 displays

up to 64 displays

## < 4.4 > Options : Touchscreen & driver

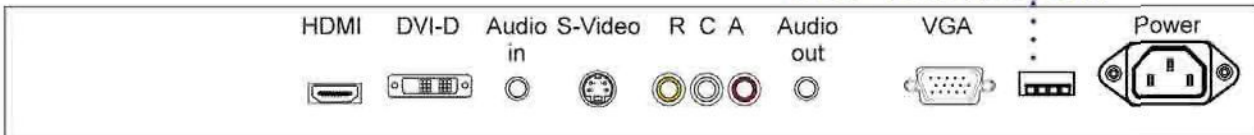


### W32" USB Touchscreen Specification

Model	TPC-32 Multi-touch	TCB e-Capacitive
Technology	Projected Capacitive	Capacitive
Touch Point	10	Single
Input Type	Finger or Capacitive Stylus	Finger
Resolution	2048 x 2048	2048 x 2048
Touch Point Accuracy	± 25 mm offset	-
Response Speed	Max. 20 ms	20 ms
Activation Force	≤ 10 g	≤ 50 g
Surface Hardness	7H	9H
Light Transmission	≥ 88%	92% ± 2%
Haze	≤ 2%	7%
Durability	> 100 million touches	300 million touches
Top Layer	2.8 mm Tempered Glass	Glass
Bottom Layer	Film	Glass
Thickness	3.2 mm	2.8 mm ± 10%
Connector	USB Type A	USB Type A
Compatibility	Windows 7	Windows 7 / XP / Vista, Linux

- Dimension will be changed if Multi-touch required
- USB touchscreen package includes 1 x 6ft USB cable, quick reference guideline and CD disc
- For detailed information, please refer to the attached CD disc
- As the touchscreen unit is not made of toughened glass, please handle it carefully

### USB Touchscreen





**TPC-32 Driver**



Connect the USB cable from the USB port on the LCD to a computer. The touch screen supports easy Plug-and-Play operations. There is no need to install additional drivers on the computer.

**TCB Driver**

**Please follow the below steps to setup the touch screen:-**

**Step 1.** Run the bundled CD disc or download the driver

**Step 2.** Double click the Setup.exe

**Step 3.** Follow the installation instruction to finish the setup

**Step 4.** After installation, run the TouchKit program & the "4 point calibration"



Please do the initial calibration after the first setup



Model	24V	48V
<b>Input rating</b>		
Input voltage:	24-Volt	48-Volt
Input range:	18 ~ 36V	36 ~ 75V
Input current		
- No load	180 mA	90 mA
- Full load	8396 mA	4198 mA
<b>Output rating</b>		
Output voltage:	24-Volt	24-Volt
Output current:	9.0A	9.0A
<b>Efficiency</b>		
	88%	89%

## < 4.6 > Options : MIL-type or Lockable Connector

	Input	Part no.	MIL Standard
MIL - type Connector	DC Power *** ( Male )	MS3470W8-33P 	MIL - DTL - 26482
	VGA *** ( Male )	MS3470W14-15P 	MIL - DTL - 26482

\*\*\* There are several additional MIL DC and VGA connector types with varying design characteristics to meet cost considerations and to provide users with the most design flexibility possible. For more information, please contact us.

	Input	Part no.	Standard
Lockable Connector	DC Power ( Male )	YM-Ext-461CP001 	D-type 3W3
	USB	LUSB - A111 - 00 	-

\*\*\* MIL - type or Lockable connectors above can be integrated with our LCD displays. Sale service just for connectors not provided.

< 4.7 > Options : TV ( Analog )

32" FHD LCD Display



\*\*\*

For RC-2 remote controller specifications, please refer to P.16



iTech Company LLC  
TOLL FREE: (888) 483-2418 • EMAIL: [info@iTechLCD.com](mailto:info@iTechLCD.com) • WEB: [www.iTechLCD.com](http://www.iTechLCD.com)