

## User Manual 19" Widescreen LCD



### iAP-W1900

Aluminum front bezel

### iNAP-W1900

Front NEMA4 / IP65



### iOP-W1900

Universal Mounting Open Frame



REACH



## Legal Information

First English printing, October 2002

Information in this document has been carefully checked for accuracy; however, no guarantee is given to the correctness of the contents. The information in this document is subject to change without notice. We are not liable for any injury or loss that results from the use of this equipment.

## Safety Instructions

**Please read all of these instructions carefully before you use the device. Save this manual for future reference.**

- Unplug equipment before cleaning. Don't use liquid or spray detergent; use a moist cloth.
- Keep equipment away from excessive humidity and heat. Preferably, keep it in an air-conditioned environment with temperatures not exceeding 40° Celsius (104° Fahrenheit).
- When installing, place the equipment on a sturdy, level surface to prevent it from accidentally falling and causing damage to other equipment or injury to persons nearby.
- When the equipment is in an open position, do not cover, block or in any way obstruct the gap between it and the power supply. Proper air convection is necessary to keep it from overheating.
- Arrange the equipment's power cord in such a way that others won't trip or fall over it.
- If you are using a power cord that didn't ship with the equipment, ensure that it is rated for the voltage and current labeled on the equipment's electrical ratings label. The voltage rating on the cord should be higher than the one listed on the equipment's ratings label.
- Observe all precautions and warnings attached to the equipment.
- If you don't intend on using the equipment for a long time, disconnect it from the power outlet to prevent being damaged by transient over-voltage.
- Keep all liquids away from the equipment to minimize the risk of accidental spillage. Liquid spilled on to the power supply or on other hardware may cause damage, fire or electrical shock.
- Only qualified service personnel should open the chassis. Opening it yourself could damage the equipment and invalidate its warranty.
- If any part of the equipment becomes damaged or stops functioning, have it checked by qualified service personnel.

## What the warranty does not cover

- Any product, on which the serial number has been defaced, modified or removed.
- Damage, deterioration or malfunction resulting from:
  - Accident, misuse, neglect, fire, water, lightning, or other acts of nature, unauthorized product modification, or failure to follow instructions supplied with the product.
  - Repair or attempted repair by anyone not authorized by us.
  - Any damage of the product due to shipment.
  - Removal or installation of the product.
  - Causes external to the product, such as electric power fluctuation or failure.
  - Use of supplies or parts not meeting our specifications.
  - Normal wear and tear.
  - Any other causes which does not relate to a product defect.
- Removal, installation, and set-up service charges.

## Regulatory Notices Federal Communications Commission (FCC)

This equipment has been tested and found to comply with the limits for a Class B digital device, pursuant to Part 15 of the FCC rules. These limits are designed to provide reasonable protection against harmful interference in a residential installation.

Any changes or modifications made to this equipment may void the user's authority to operate this equipment. This equipment generates, uses, and can radiate radio frequency energy and, if not installed and used in accordance with the instructions, may cause harmful interference to radio communications.

However, there is no guarantee that interference will not occur in a particular installation. If this equipment does cause harmful interference to radio or television reception, which can be determined by turning the equipment off and on, the user is encouraged to try to correct the interference by one or more of the following measures:

- Re-position or relocate the receiving antenna.
- Increase the separation between the equipment and receiver.
- Connect the equipment into an outlet on a circuit different from that to which the receiver is connected.

# Contents

## < Part. 1 > **iAP-W1900 / iNAP-W1900**

- |     |                                  |         |
|-----|----------------------------------|---------|
| 1.1 | Package Content                  | P.1     |
| 1.2 | Structure Diagram & Dimension    | P.2 - 3 |
| 1.3 | Mounting Hardware & Installation | P.4 - 5 |

## < Part. 2 > **iOP-W1900**

- |     |                                  |         |
|-----|----------------------------------|---------|
| 2.1 | Package Content                  | P.6     |
| 2.2 | Structure Diagram & Dimension    | P.7 - 8 |
| 2.3 | Mounting Hardware & Installation | P.9     |

## < Part. 3 > **Specifications / OSD**

- |     |                                     |           |
|-----|-------------------------------------|-----------|
| 3.1 | Product Specifications              | P.10 - 11 |
| 3.2 | On-screen Display Operation ( OSD ) | P.12      |

## < Part. 4 > **Options**

- |      |   |           |
|------|---|-----------|
| 4.1  | Option Table  | P.13      |
| 4.2  | 3G / HD / SD- <b>SDI</b> Broadcast-grade input  | P.14      |
| 4.3  | <b>MCS</b> Multi-display control solution   | P.15      |
| 4.4  | <b>AV2.2D</b> Upgrade : DVI-D, S-Video + BNC & Audio<br><b>AV2.2H</b> Upgrade : HDMI, S-Video + BNC & Audio | P.16 - 17 |
| 4.5  | <b>AV3.0</b> Upgrade : HDMI, DVI-D, S-Video + BNC & Audio   | P.18      |
| 4.6  | Resistive / Capacitive ( single point touch )   | P.19 - 20 |
| 4.7  | 48V, 24V or 12VDC power   | P.21      |
| 4.8  | MIL-type or lockable connector  | P.22      |
| 4.9  | Quad display for CCTV   | P.23      |
| 4.10 | TV ( Analog )   | P.24 - 25 |

## Before Installation

- It is very important to mount the equipment in a suitable cabinet or on a stable surface.
- Make sure the place has a good ventilation, is out of direct sunlight, away from sources of excessive dust, dirt, heat, water, moisture and vibration.

## Unpacking

The equipment comes with the standard parts shown in package content. Check and make sure they are included and in good condition. If anything is missing, or damaged, contact the supplier immediately.

## How To Clean Your LCD Monitor



### Caution :

- To avoid the risk of electric shock, make sure your hands are dry before unplugging your monitor from or plugging your monitor into an electrical outlet.
- When you clean your monitor, do not press down on the LCD screen. Pressing down on the screen can scratch or damage your display. Pressure damage is not covered under warranty.
- Use only cleansers made specifically for cleaning monitors and monitor screens. Cleansers not made to clean monitors and monitor screens can scratch the LCD display or strip off the finish.
- Do not spray any kind of liquid directly onto the screen or case of your monitor. Spraying liquids directly onto the screen or case can cause damage which is not covered under warranty.
- Do not use paper towels or abrasive pads to clean your monitor. Using an abrasive pad or any wood based paper product such as paper towels can scratch your LCD screen.

## Cleaning Your Monitor

To clean your LCD safely, please follow these steps :

- ① Disconnect the power cord.
- ② Gently wipe the surface using a clean, dry microfiber cloth. Use as little pressure as possible.

## Cleaning Tough Marks and Smudges

To remove tough marks and smudges, please follow these steps :

- ① Disconnect the power cord.
- ② Spray a small amount of non-abrasive cleanser on a microfiber cloth.



**Caution : Do not spray or apply any liquids directly onto the monitor. Always apply the solution to your microfiber cloth first, not directly on the parts you are cleaning.**

- ③ Gently wipe the surface. Use as little pressure as possible.
- ④ Wait until your monitor is completely dry before plugging it in and powering it up.

< Part 1 >

< 1.1 > Package Content - iAP / iNAP-W1900

**iAP-W1900 / iNAP-W1900**

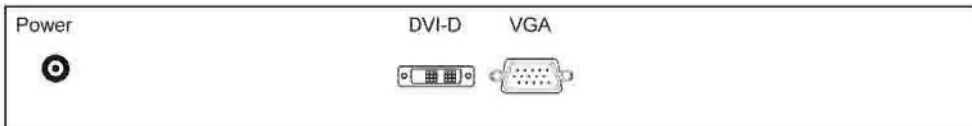


- 19" Widescreen LCD display X 1
- 6ft VGA cable X 1
- Power adapter X 1
- Power cord X 1

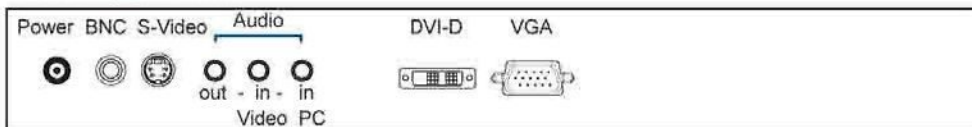
**Mounting hardware X 1 pack**

- Mounting bracket x 4 pcs
- M4\* 6mm screw x 8 pcs
- M4\* 50mm screw x 8 pcs

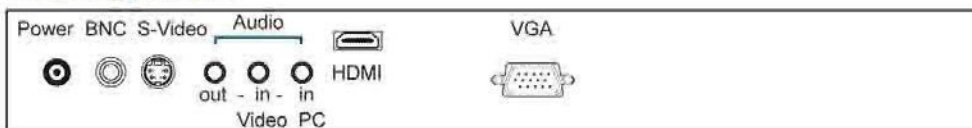
**Basic I/O**



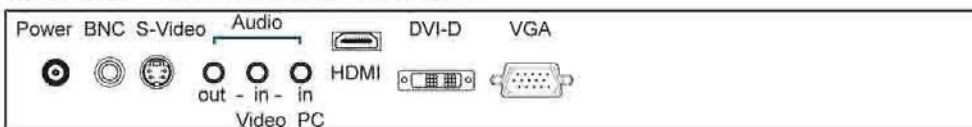
**AV2.2D upgrade I/O**



**AV2.2H upgrade I/O**

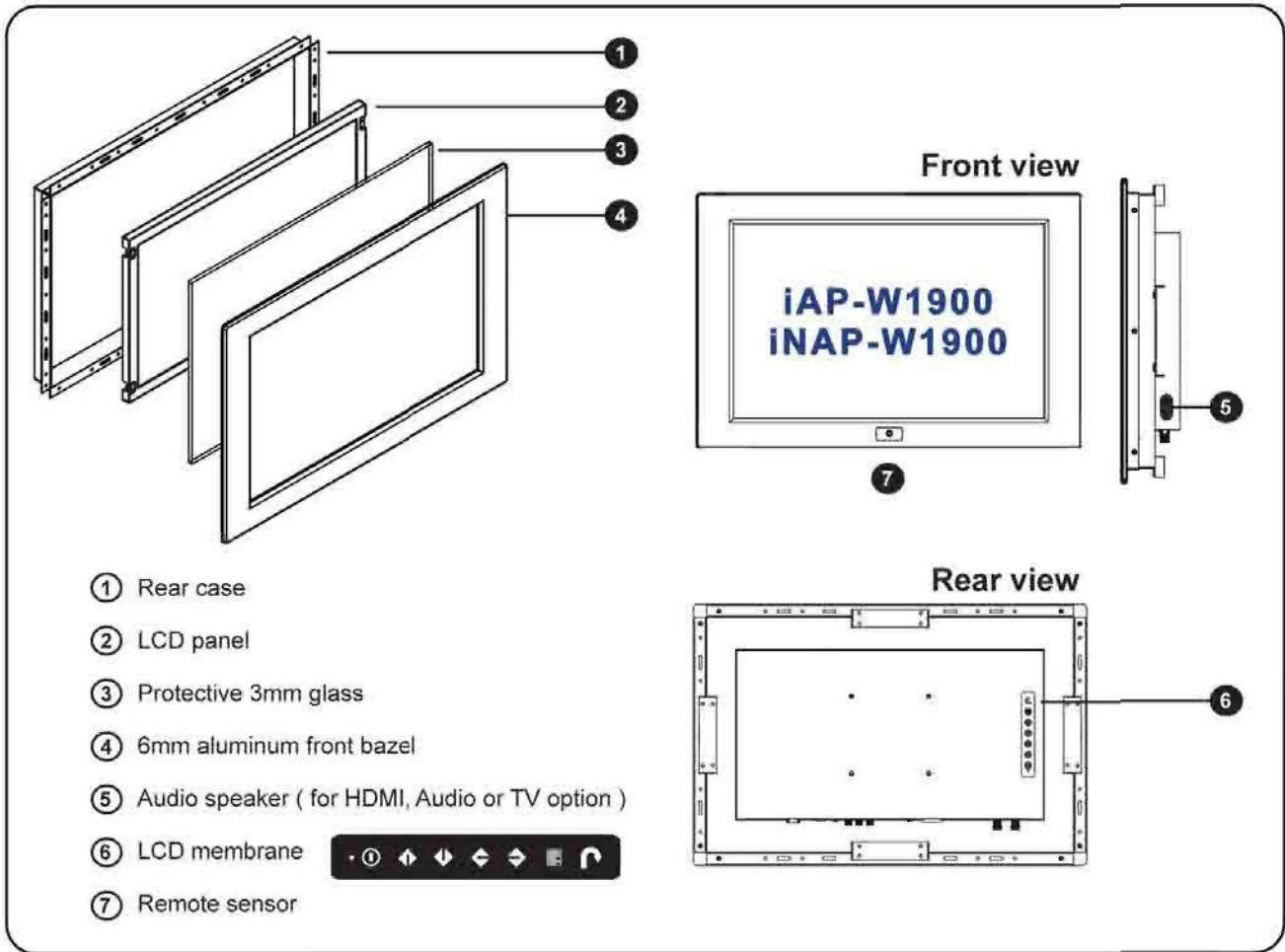


**AV3.0 upgrade I/O with advanced features**



- An abundance of input connections that include HDMI, DVI-D, VGA, S-Video + BNC and audio
- On-chip Faroudja® DCDi Cinema processing

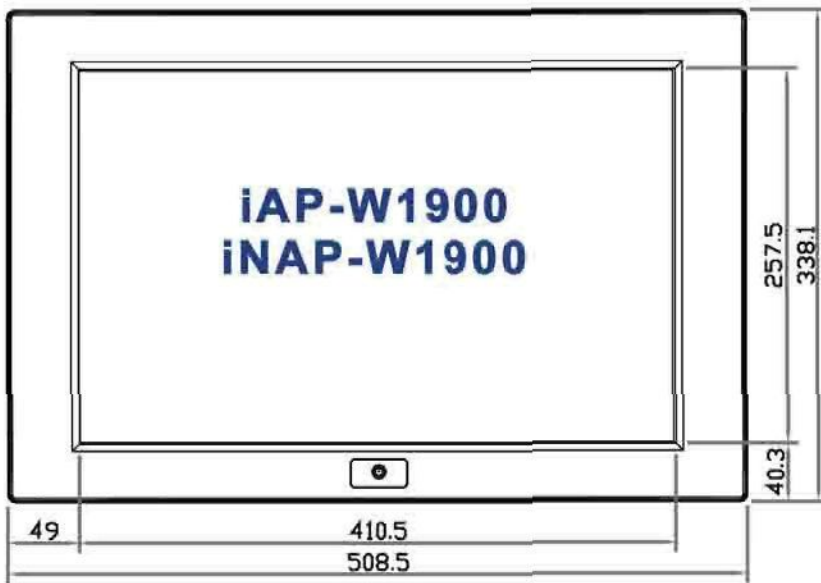
< 1.2 > Structure Diagram - iAP / iNAP-W1900 19" Widescreen LCD Display



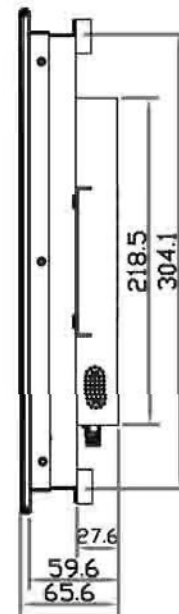
Model	Product Dimension (W x D x H)	Packing Dimension (W x D x H)	Net Weight	Gross Weight
<b>iAP-W1900</b> <b>iNAP-W1900</b>	508.5 x 65.6 x 338.1 mm 20 x 2.6 x 13.3 inch	662 x 115 x 533 mm 26.1 x 4.5 x 21 inch	7 kg 15.4 lbs	10 kg 22 lbs

< 1.2 > Dimension - iAP / iNAP-W1900

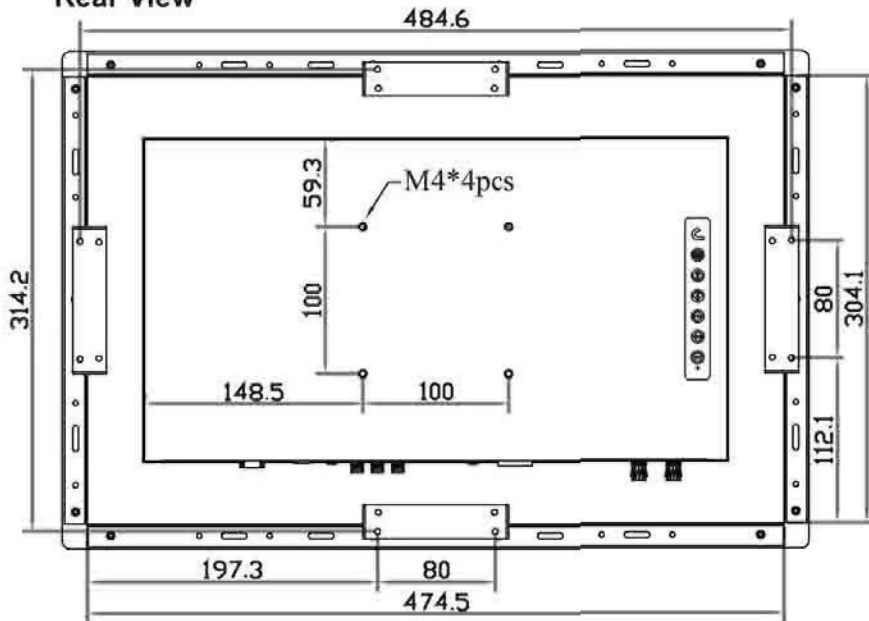
Front View



Side View

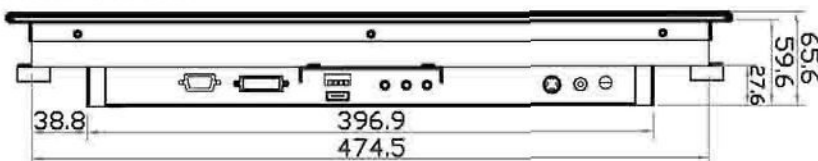


Rear View



UNIT : mm  
1mm = 0.03937 inch

Bottom View



## < 1.3 > Panel Mount Installation - iAP / iNAP-W1900

19" Widescreen LCD Display

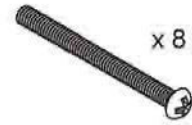
- 1 Mounting bracket  
x 4 pcs



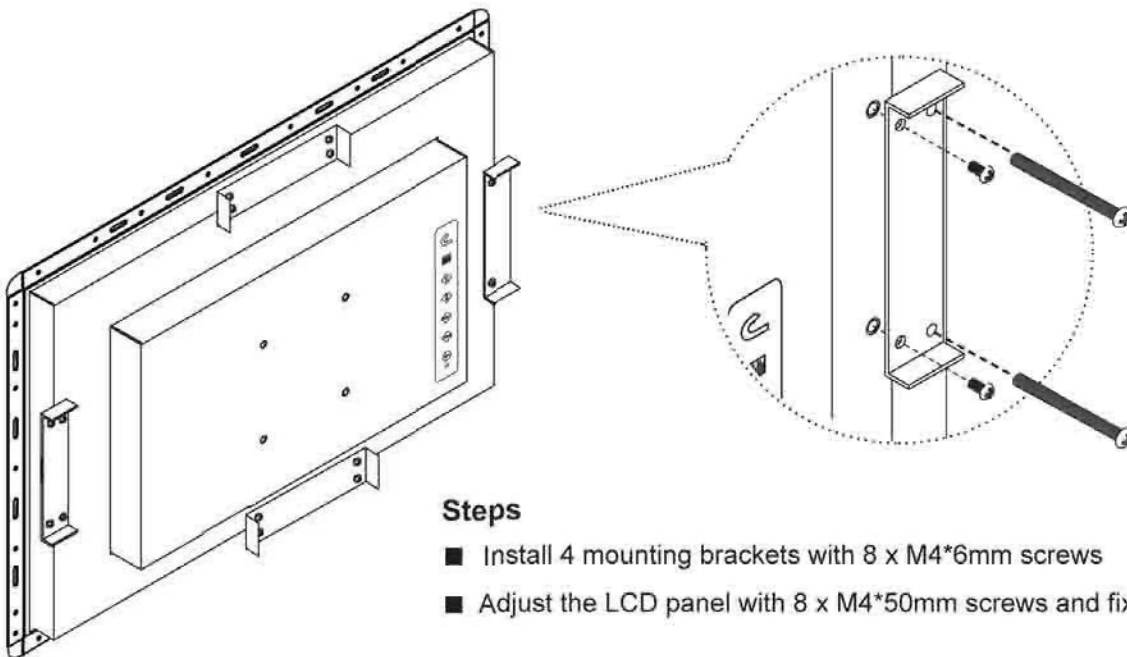
- 2 M4\*6mm screw  
x 8 pcs



- 3 M4\*50mm screw  
x 8 pcs



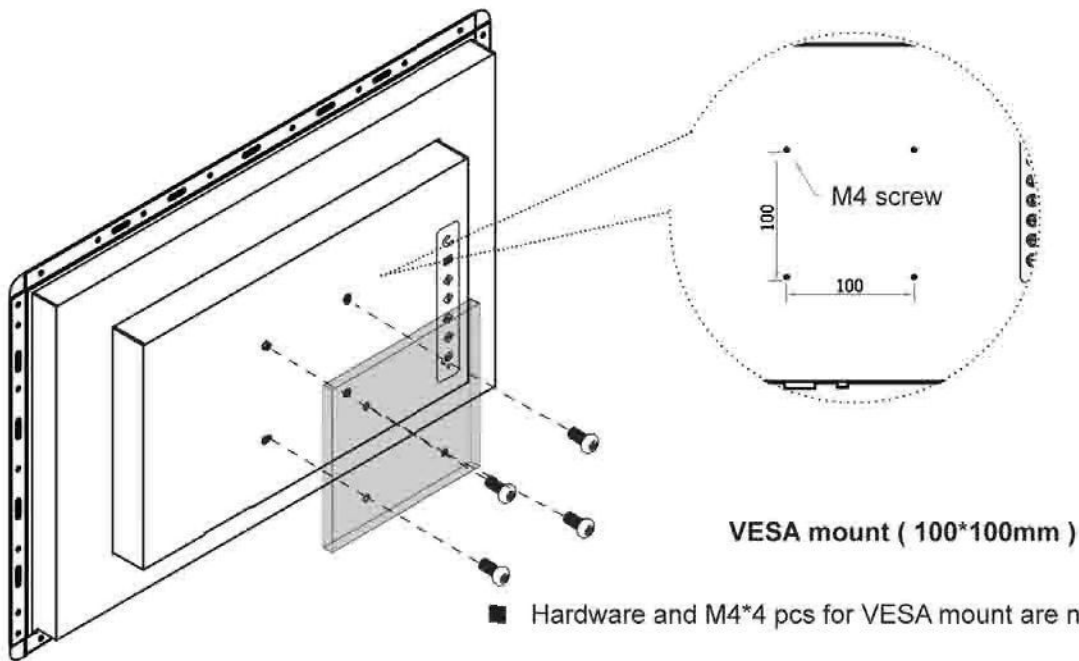
Hardware set part no. UV-BK#2



### Steps

- Install 4 mounting brackets with 8 x M4\*6mm screws
- Adjust the LCD panel with 8 x M4\*50mm screws and fix it on the surface.

### < 1.3 > VESA mount Installation - iAP / iNAP-W1900

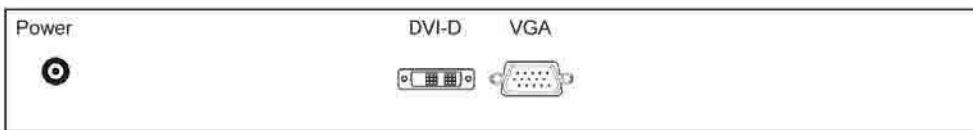


**iOP-W1900**

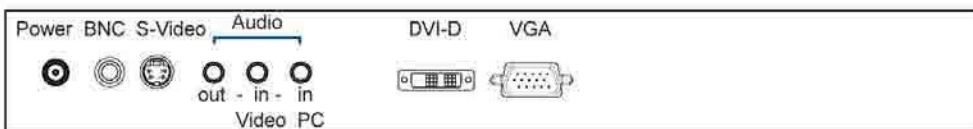


- 19" Widescreen LCD display X 1
- 6ft VGA cable X 1
- Power adapter X 1
- Power cord X 1

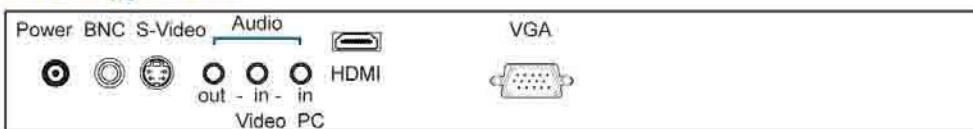
**Basic I/O**



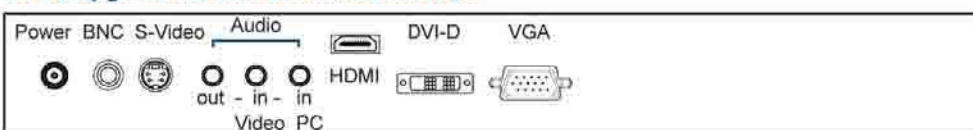
**AV2.2D upgrade I/O**



**AV2.2H upgrade I/O**

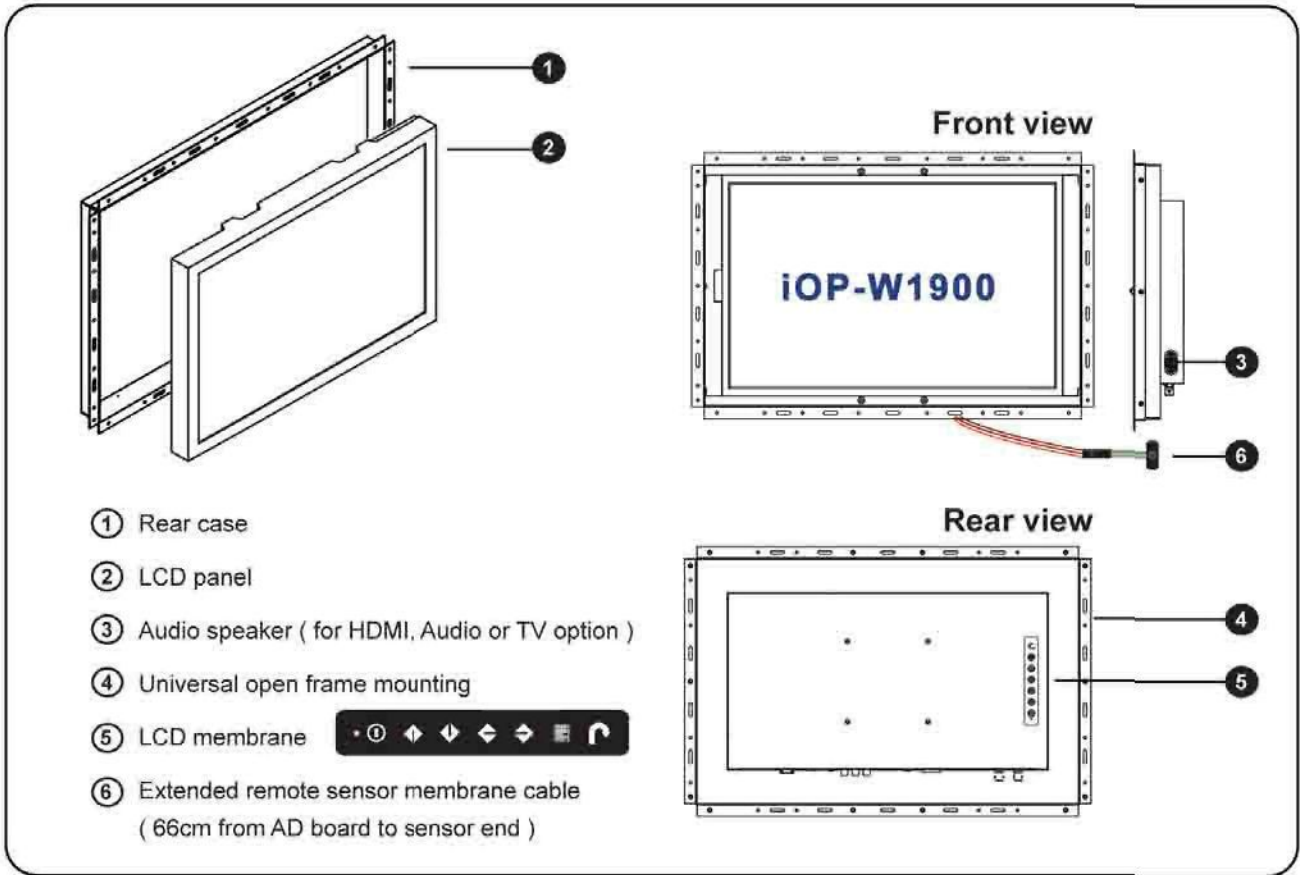


**AV3.0 upgrade I/O with advanced features**



- An abundance of input connections that include HDMI, DVI-D, VGA, S-Video + BNC and audio
- On-chip Faroudja® DCDi Cinema processing

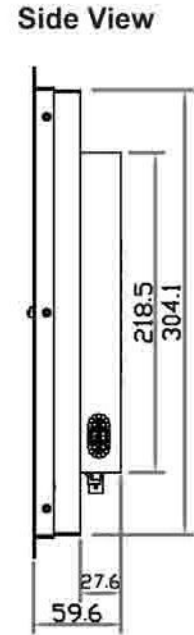
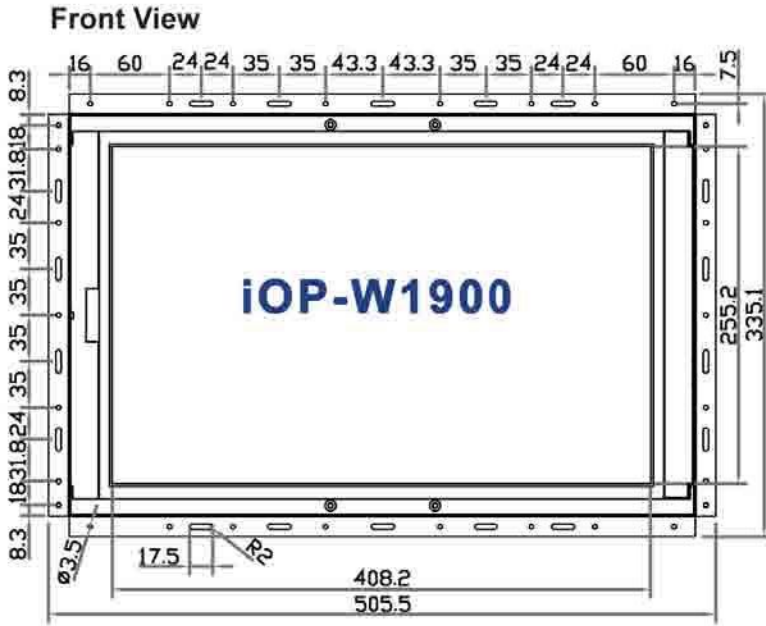
## < 2.2 > Structure Diagram - iOP-W1900



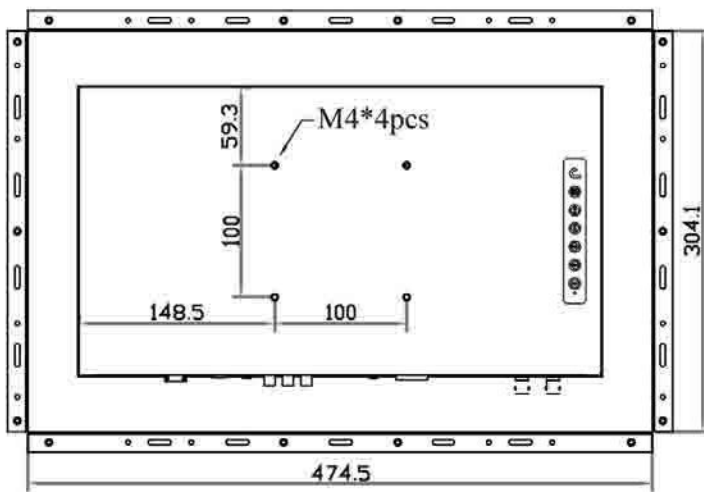
Model	Product Dimension (W x D x H)	Packing Dimension (W x D x H)	Net Weight	Gross Weight
<b>iOP-W1900</b>	505.5 x 59.6 x 335.1 mm 19.9 x 2.3 x 13.2 inch	662 x 115 x 533 mm 26.1 x 4.5 x 21 inch	5.5 kg 12.1 lbs	8.4 kg 18.5 lbs

## < 2.2 > Dimension - iOP-W1900

19" Widescreen LCD Display

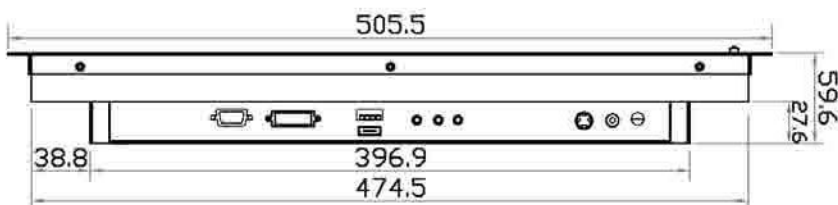


### Rear View



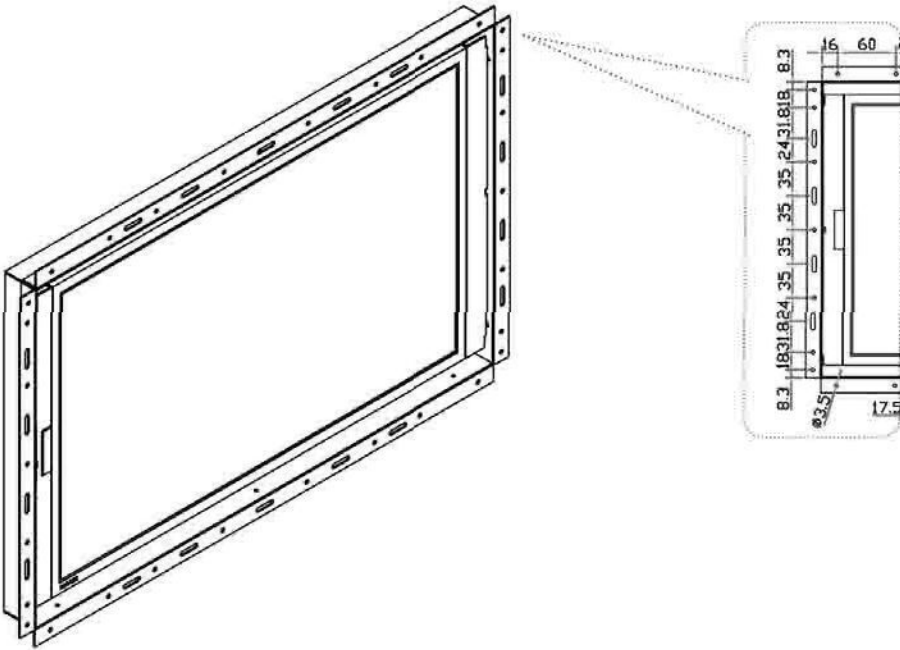
UNIT : mm  
1mm = 0.03937 inch

### Bottom View

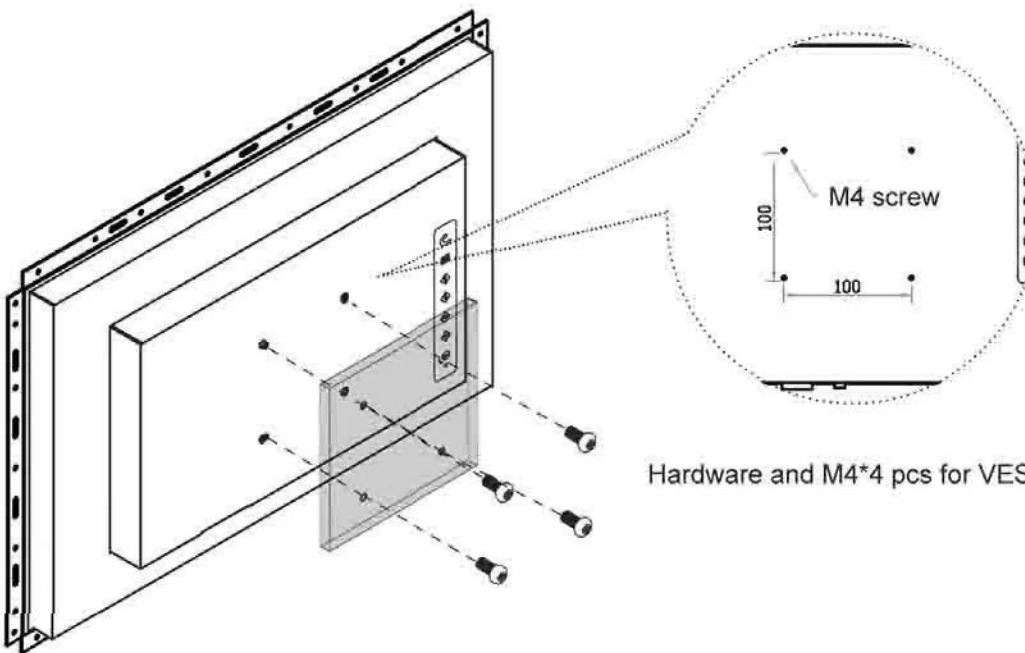


## < 2.3 > Installation - iOP-W1900

### ( I ) Universal mount



### ( II ) VESA mount ( 100\*100mm )




Hardware and M4\*4 pcs for VESA mounting are not provided

< Part 3 >

< 3.1 > Product Specifications

19" Widescreen LCD Display

Mechanical Design		iAP / iNAP-W1900	iOP-W1900
	Front Panel	Black, RAL 9005	-
	Rear Casing	Black, RAL 9005	Black, RAL 9005
	VESA Mounting	100 x 100mm	100 x 100mm
	Other Mounting	Panel mount	Universal mount
	Protection	3mm protective glass	-

LCD Panel	Manufacturer		
	Panel Size ( diagonal )	19-inch Widescreen TFT color LCD	
	Display pixel ( dots x lines )	1440 x 900	
	Brightness ( typ. )	300	
	Contrast Ratio ( typ. )	1000:1	
	Color	16.7 M	
	Viewing Angle ( L/R/U/D )	80/80/80/80	
	Response Time ( ms )	5	
	Dot pitch ( mm )	0.2835	
	Display Area ( mm )	408.24H x 255.15V	
	Surface treatment	Haze 25%, Hard-coating	
	Surface hardness	3H	
	Backlight Type	CCFL	
	MTBF ( hrs )	50,000	

Video Connectivity	Analog	VGA	Analog 0.7Vp-p
		DVI	DVI-D, TMDS single link

Power	Power Supply	Range	Auto-sensing 100 to 240VAC, 50/60Hz
	Power Consumption	Screen display ON	25W or less
		Power saving mode	4W or less
		Power button OFF	1W or less

Regulatory	Safety	FCC & CE certified
	Environmental	RoHS2 & REACH compliant

Environmental Conditions	Operating	Temperature	0 to 50°C degree
		Humidity	20~90%, non-condensing
	Storage	Temperature	-5 to 60°C degree
		Humidity	5~90%, non-condensing
		Shock	10G acceleration (11ms duration)
		Vibration	5~500Hz 1G RMS random

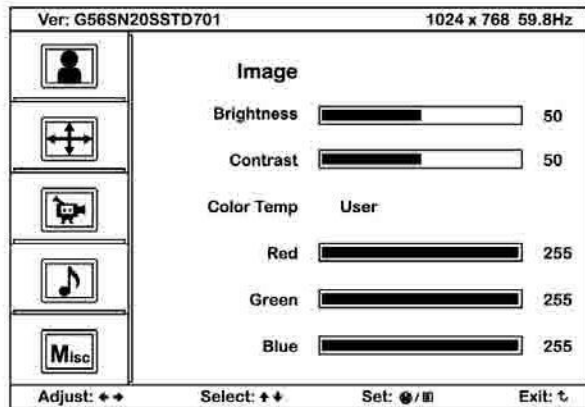
Physical Specification		<b>iAP / iNAP-W1900</b>	<b>iOP-W1900</b>
	Product ( W x D x H )	508.5 x 65.6 x 338.1 mm 20 x 2.6 x 13.3 inch	505.5 x 59.6 x 335.1 mm 19.9 x 2.3 x 13.2 inch
	Packing ( W x D x H )	662 x 115 x 533 mm 26.1 x 4.5 x 21 inch	662 x 115 x 533 mm 26.1 x 4.5 x 21 inch
	Net Weight	7 kgs / 15.4 lbs	5.5 kgs / 12.1 lbs
	Gross Weight	10 kgs / 22 lbs	8.4 kgs / 18.5 lbs

Applicable Format	VGA Input	PC Signal	1440 x 900 x 60Hz
			1280 x 1024 x 60 / 75Hz
			1280 x 960 x 60Hz
			1280 x 760 x 60 / 75Hz
			1152 x 864 x 75Hz
			1024 x 768 x 60 / 70 / 75Hz
			848 x 480 x 60Hz
			800 x 600 x 60 / 72 / 75Hz
			720 x 400 x 70Hz
			640 x 480 x 60 / 72 / 75Hz
			640 x 400 x 70Hz
			640 x 350 x 70Hz

- Power light
- Green = On
- Orange = Power saving



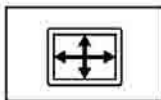
Membrane Switch	Function
	Power on / off LCD
	Display the OSD menu
	Scrolls through menu options and adjusts the displayed control (To auto adjustment by pressing the button  for 5 seconds)
	Exit the OSD screen Toggle analog, digital & video connection (DVI-D and video options only)



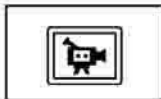
**OSD Configuration Page**



**Image:**  
for the brightness, contrast, color temp, red, green, and blue



**Geometry:**  
for the auto adjust, H position, V position, phase and clock



**Video:**  
for the colour, tint, sharpness, noise reduction, DCDi and TV Setup



**Audio:**  
for volume, bass, treble, balance, AVL and mute



**Misc:**  
for the language, OSD position, graphic mode, ratio, reset and timer

## < Part 4 > Options

### < 4.1 > Option Table

Options	iAP / iNAP	iOP
SDI ***	✓	✓
HDMI * or DVI-D	✓	✓
S-Video * + Composite ( BNC )	✓	✓
Audio	✓	✓
Touchscreen	✓	✓
MCS multi-display control	✓	✓
DC Power	✓	✓
MIL-type / lockable connector	✓	✓
Quad display	✓	✓
TV ( Analog ) *	✓	✓



#### \*\*\* About SDI

- ( 1 ) The AD board will be upgraded to version 3.0, and this comes standard with HDMI, DVI-D, VGA, S-Video, BNC, audio inputs and RC-1 remote controller.

#### \* About HDMI and DVI-D

- ( 1 ) For AV2.2 upgrade, either HDMI or DVI-D is provided.
- ( 2 ) If the user needs HDMI and DVI-D, AV3.0 upgrade can be applied.

#### \* Remote Controller

- ( 1 ) AV2.2 upgrade comes with RC-1 remote controller.
- ( 2 ) TV option comes with RC-2 remote controller.

## < 4.2 > Options : 3G / HD / SD-SDI input

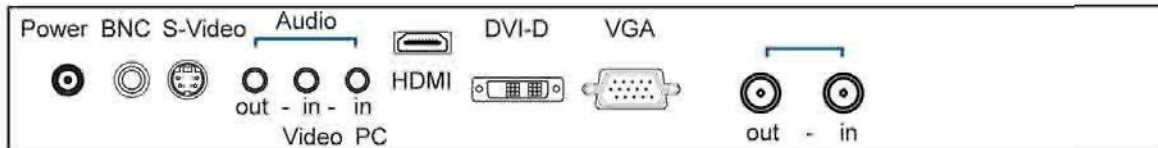
## 19" Widescreen LCD Display



iTechLCDs' SDI input is an ideal solution for the broadcast-grade video and high resolution CCTV market.

Designed for use with **NetView** Full HD 1080p and ultra high resolution 1920 x 1200 LCD displays, iTechLCD provides a SDI input module without using additional space or power and it comes standard with a 2-year warranty.

### SDI



\*\*\* For **SDI** option, the AD board will be upgraded to AV3.0, and this comes standard with HDMI, DVI-D, VGA, S-Video, BNC, audio inputs and RC-1 remote controller ( please refer to P.17 )

<b>INPUT</b>	3G-SDI IN	BNC x 1 / 0.8Vp-p ( 75 ohm )
	3G-SDI OUT	BNC x 1 / Active through, equalized & relocked

<b>Standard Compliance</b>	Video	SMPTE 425M / 274M / 296M / 125M ITU-R BT.656
	Audio	SMPTE 299M / 272M-C

<b>Compatible Video Format</b>	3G-SDI	1080p @60 / 50Hz, 4:2:2
		1080p @30 / 25 / 24Hz, 4:4:4
		1080i @60 / 50Hz, 4:4:4
		720p @60 / 50Hz, 4:4:4
HD-SDI	1080p @30 / 25 / 24Hz, 4:2:2	
	1080i @60 / 50Hz, 4:2:2	
	720p @60 / 50Hz, 4:2:2	
SD-SDI	480i @60Hz, 4:2:2	
ITU-R BT.656	576i @50Hz, 4:2:2	

<b>Compatible Audio Format</b>	3G-SDI	48kHz, 16 / 20 / 24 bit, 2 CH, Synchronized Video
	HD-SDI	48kHz, 16 / 20 / 24 bit, 2 CH, Synchronized Video
	SD-SDI	48kHz, 16 / 20 / 24 bit, 2 CH, Synchronized / Asynchronized Video

<b>Max. Transmission Distance 75 ohm coaxial cable</b>	3G-SDI	150m at 2.97Gb/s
	HD-SDI	250m at 1.485Gb/s
	SD-SDI	480m at 270Mb/s

## < 4.3 > Options : MCS

### MCS ( Multi-display Control )

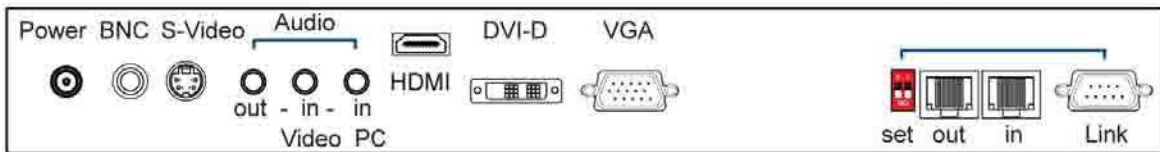


More control is always good. Especially when it is necessary and easy. iTechLCD provides MCS solution to control the OSD of various NetView LCD display up to 64 units.

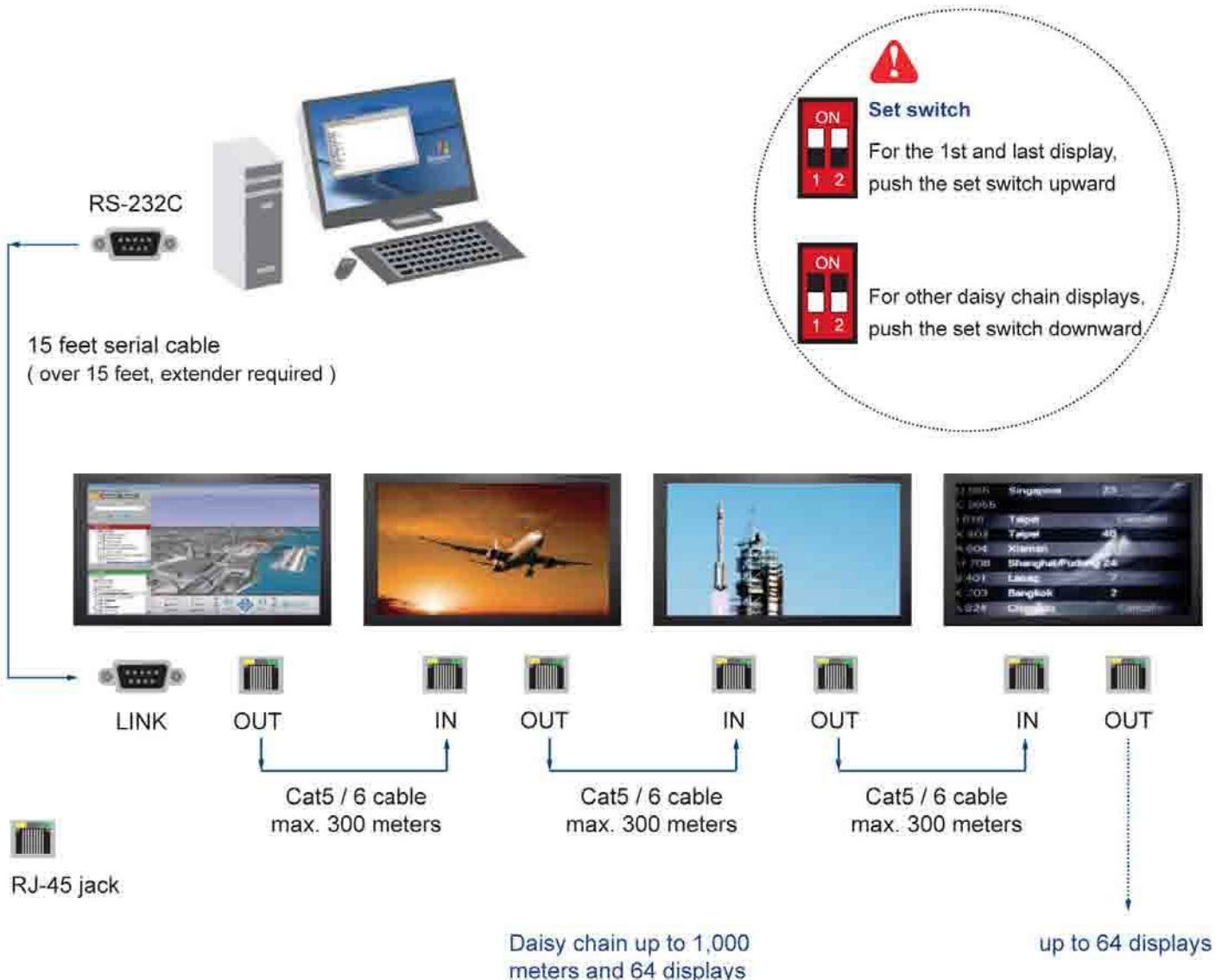
The RS-232C is used for the communication between the PC and the first display via a 15 feet serial cable while the CAN bus is used for the various LCD displays cascade together via CAT 5/6 cable, and daisy chain up to 1,000 meters.

Designed for use with NetView LCD displays, iTechLCD provides a MCS input module without using additional space or power and it comes standard with a 2-year warranty.

### MCS

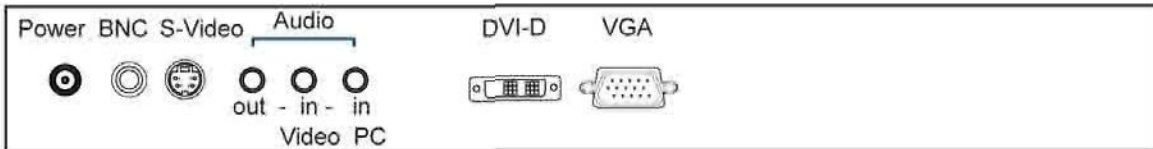


\*\*\* Please download the protocol of MCS control



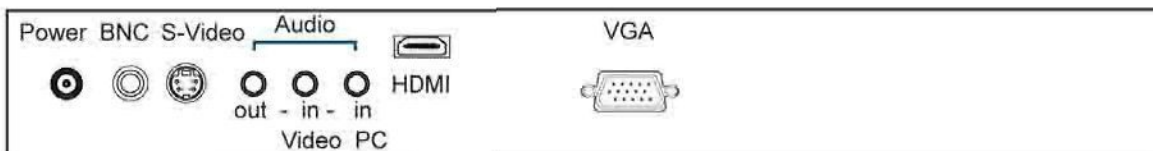
### AV2.2D Upgrade Options

- **DVI-D** ( DVI-D TMDS single link )
- **AV** ( S-Video + Composite, BNC )
- **Audio** ( 3.5mm audio jacks for audio in & out, and 2W + 2W speakers )



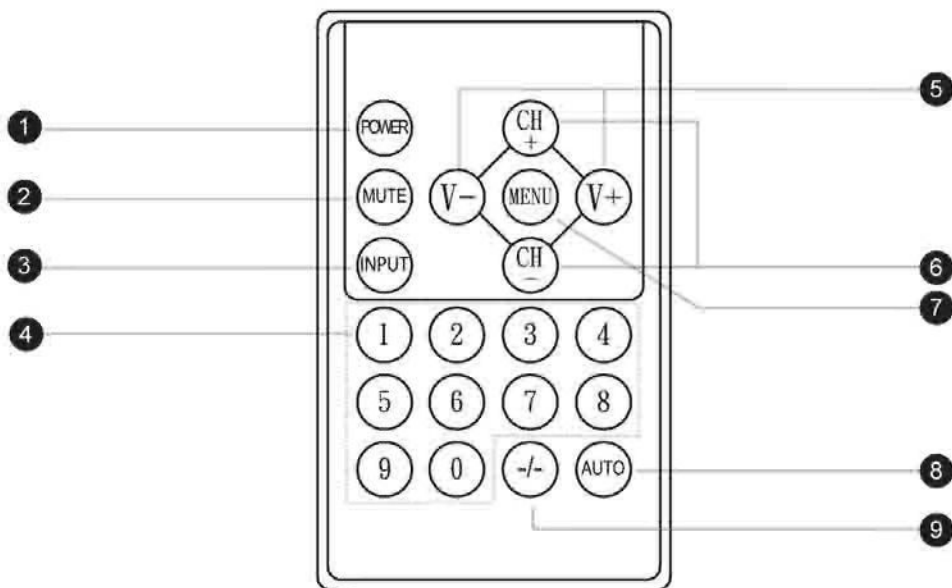
### AV2.2H Upgrade Options

- **HDMI** ( HDMI 1.1, CEA-861-D )
- **AV** ( S-Video + Composite, BNC )
- **Audio** ( 3.5mm audio jacks for audio in & out, and 2W + 2W speakers )



\*\*\*

AV2.2 upgrade option comes with RC-1 remote controller x 1.

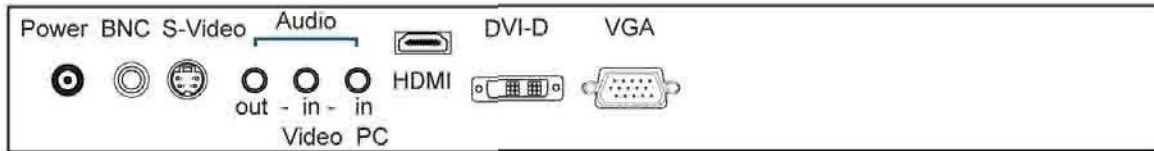


①	<b>POWER</b>	Switches on or off the TV
②	<b>MUTE</b>	Turn on or off the speaker
③	<b>INPUT</b>	Switch to signal input mode
④	<b>0-9</b>	Select channels. For channel numbers 10 and above, enter the second digit within two seconds.
⑤	<b>V +/-</b>	Increase or decrease the speaker volume
⑥	<b>CH +/-</b>	Increase or decrease the channel number
⑦	<b>MENU</b>	Display the menu on the screen or go to the previous menu
⑧	<b>AUTO</b>	For auto searching
⑨	<b>- / -</b>	For setting one or two input digit

## < 4.5 > AV3.0 Upgrade Options :

19" Widescreen LCD Display

- **HMDI** ( HDMI 1.1, CEA-861-D )
- **DVI-D** ( DVI-D TMDS single link )
- **AV** ( S-Video + Composite, BNC )
- **Audio** ( 3.5mm audio jacks for audio in & out, and 2W + 2W speakers )



## < 4.6 > Options : Touchscreen & driver

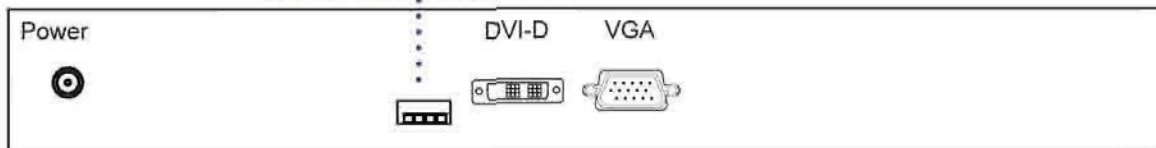


### W19" USB Touchscreen Specification

Model	TRB e-Resistive	TCB e-Capacitive
Technology	5-Wire Resistive	Capacitive
Touch Point	Single	Single
Input Type	Finger or Stylus	Finger
Resolution	2048 x 2048	2048 x 2048
Touch Point Accuracy	-	-
Response Speed	15 ms	20 ms
Activation Force	≤ 50 g	≤ 50 g
Surface Hardness	3H	9H
Light Transmission	80% ± 3%	92% ± 2%
Haze	8% ± 3%	7%
Durability	10 million touches	300 million touches
Top Layer	ITO Film	Glass
Bottom Layer	ITO Glass	
Thickness	3.2 ± 0.2 mm	2.8 mm ± 10%
Connector	USB Type A	USB Type A
Compatibility	Windows 7 / XP / Vista, Linux	

- USB touchscreen package includes 1 x 6ft USB cable, quick reference guideline and CD disc
- For detailed information, please refer to the attached CD disc
- As the touchscreen unit is not made of toughened glass, please handle it carefully

### USB Touchscreen





**TRB / TCB Driver**

**Please follow the below steps to setup the touch screen:-**

**Step 1.** Run the bundled CD disc or download the driver

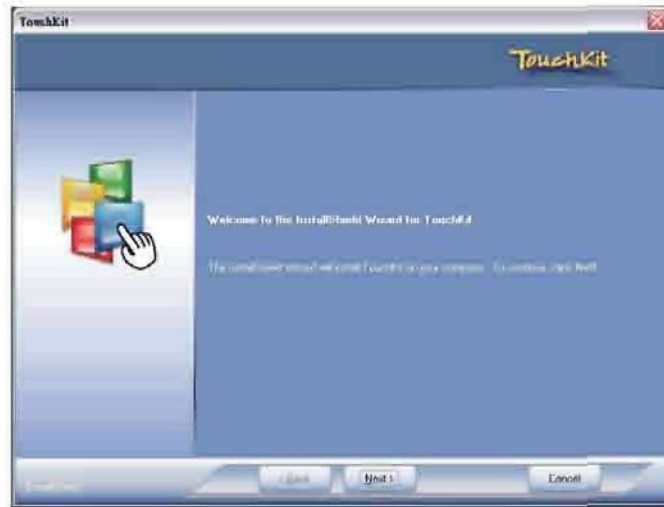
**Step 2.** Double click the Setup.exe

**Step 3.** Follow the installation instruction to finish the setup

**Step 4.** After installation, run the TouchKit program & the "4 point calibration"



Please do the initial calibration after the first setup



< 4.7 > Options : DC Power 

Model	12V	24V	48V
<b>Input rating</b>			
Input voltage:	12-Volt	24-Volt	48-Volt
Input range:	9 ~ 18V	18 ~ 36V	36 ~ 75V
Input current			
- No load	50 mA	50 mA	50 mA
- Full load	4950 mA	2450 mA	1220 mA
<b>Output rating</b>			
Output voltage:	12-Volt	12-Volt	12-Volt
Output current:	4.16A	4.16A	4.16A
<b>Efficiency</b>	84%	85%	85%

< 4.8 > Options : MIL-type or Lockable Connector

19" Widescreen LCD Display

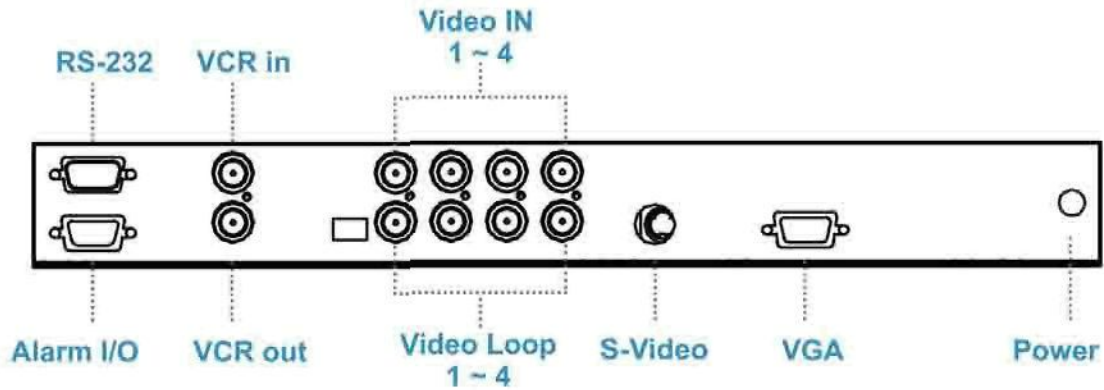
	Input	Part no.	MIL Standard
MIL - type Connector	DC Power *** ( Male )	MS3470W8-33P 	MIL - DTL - 26482
	VGA *** ( Male )	MS3470W14-15P 	MIL - DTL - 26482

\*\*\* There are several additional MIL DC and VGA connector types with varying design characteristics to meet cost considerations and to provide users with the most design flexibility possible. For more information, please contact us.

	Input	Part no.	Standard
Lockable Connector	DC Power ( Male )	YM-Ext-461CP001 	D-type 3W3
	USB	LUSB - A111 - 00 	-

\*\*\* MIL - type or Lockable connectors above can be integrated with our LCD displays. Sale service just for connectors not provided.

## < 4.9 > Options : Quad Display



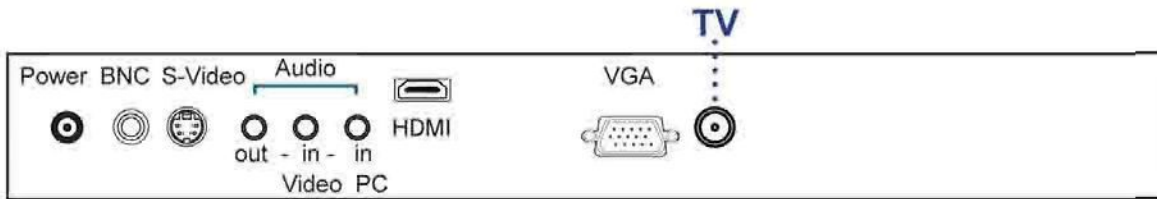
## QD Specification

Item		Description	
Model Number		QD (NTSC)	QD (PAL)
Number of Color		16.7 M	16.7 M
Imaging System		NTSC	PAL
Resolution		1024 x 525	1024 x 625
Refresh Rate		60	50
Video Input	Camera Input	1.0 Vpp, 75 Ohm x 4	
	VCR Input	1.0 Vpp, 75 Ohm x 1	
Video Output	Live Monitor	1.0 Vpp, 75 Ohm x 1	
	Loop Through Out	1.0 Vpp, 75 Ohm x 4	
	VCR Output	1.0 Vpp, 75 Ohm x 1	
Auto Gain Control		Yes	
Time / Date		Yes	
On Screen Display		Yes	
Camera Title		8 Character Title	
Display Format	2 x Zoom On Playback	Yes	
	QUAD	Yes	
	FULL	Yes	
	SEQUENCY	Yes	
Dwell Time		0 to 99 Sec Adjustable	
Alarm Inputs		Selectable NO/NC Contacts x 4	
Relay Outputs		NO/NC contacts x 1: 1A @DC24V Max.	
Alarm Hold Time		1 Sec to Non-stop	
Built-in Buzzer		Yes	
Key Lock		Yes	

\*\*\* For QD option, casing dimensions will be changed.

## < 4.10 > Options : TV ( Analog )

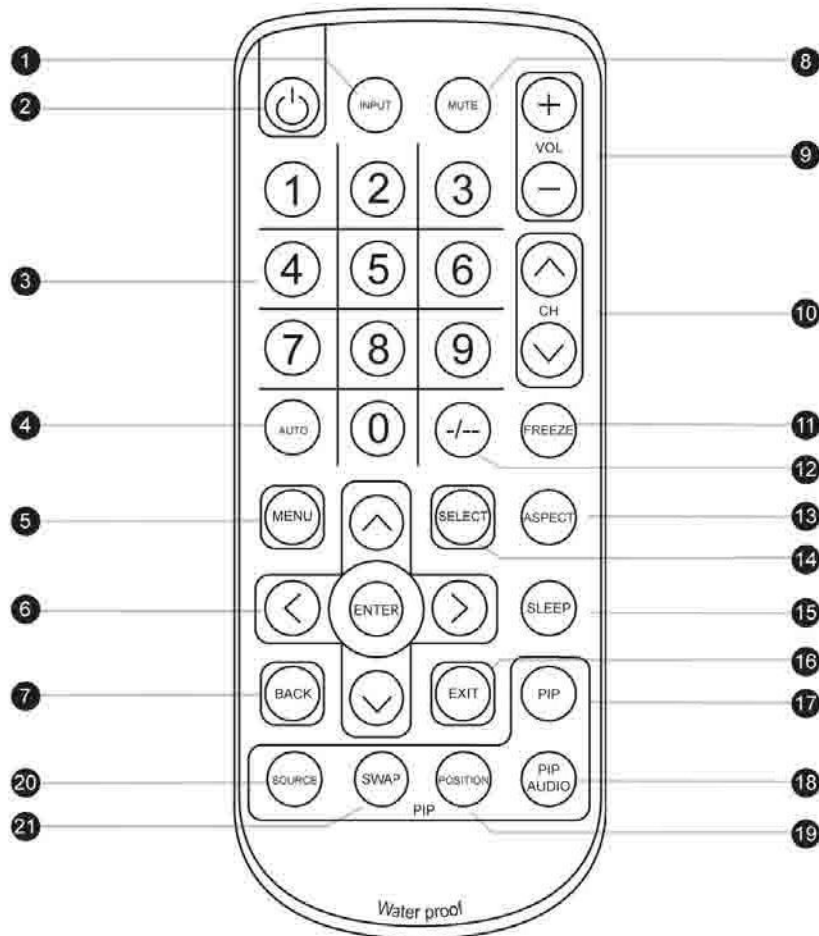
19" Widescreen LCD Display



\*\*\* For TV option :

- ( 1 ) The AD board comes standard with HDMI, VGA, S-Video, BNC, audio inputs and RC-2 remote controller.
- ( 2 ) Casing dimensions will be changed.

## How to Use RC-2 Remote Controller



①	<b>INPUT</b>	Select the source
②	⏻	Switches on or off the TV
③	<b>0 - 9</b>	Only use in TV mode. Select channels. For channel numbers 10 and above, enter the second digit within two seconds.
④	<b>AUTO</b>	Auto adjust
⑤	<b>MENU</b>	Display the menu on the screen or go to the previous menu
⑥	<b>▲ / ▼ / ◀ / ▶ / ENTER</b>	Go to the upper menu or select the previous value / Go to the next menu or select the next value / Decrease the setting value / Increase the setting value or enter to the select item setting Enter to the select item settings or excude the setting
⑦	<b>BACK</b>	Back to previous value
⑧	<b>MUTE</b>	Turn on or off the speaker
⑨	<b>Vol + / -</b>	Increase or decrease the speaker volume
⑩	<b>CH + / -</b>	For TV model only, increase or decrease the channel number
⑪	<b>FREEZE</b>	Reserve for OEM model
⑫	<b>- / --</b>	For setting input single or double digits
⑬	<b>ASPECT</b>	Adjust the screen size
⑭	<b>SELECT</b>	To select the existing item
⑮	<b>SLEEP</b>	Select the sleeping time
⑯	<b>EXIT</b>	Exit the menu or cancel
<b>PIP functions</b>		
⑰	<b>PIP</b>	Picture in picture
⑱	<b>PIP AUDIO</b>	To set the audio of in PIP mode
⑲	<b>POSITION</b>	To set the screen position in PIP mode
⑳	<b>SOURCE</b>	PIP Source
㉑	<b>SWAP</b>	Swap screen in PIP mode



iTech Company LLC  
TOLL FREE: (888) 483-2418 • EMAIL: [info@iTechLCD.com](mailto:info@iTechLCD.com) • WEB: [www.iTechLCD.com](http://www.iTechLCD.com)